

WELCOME TO

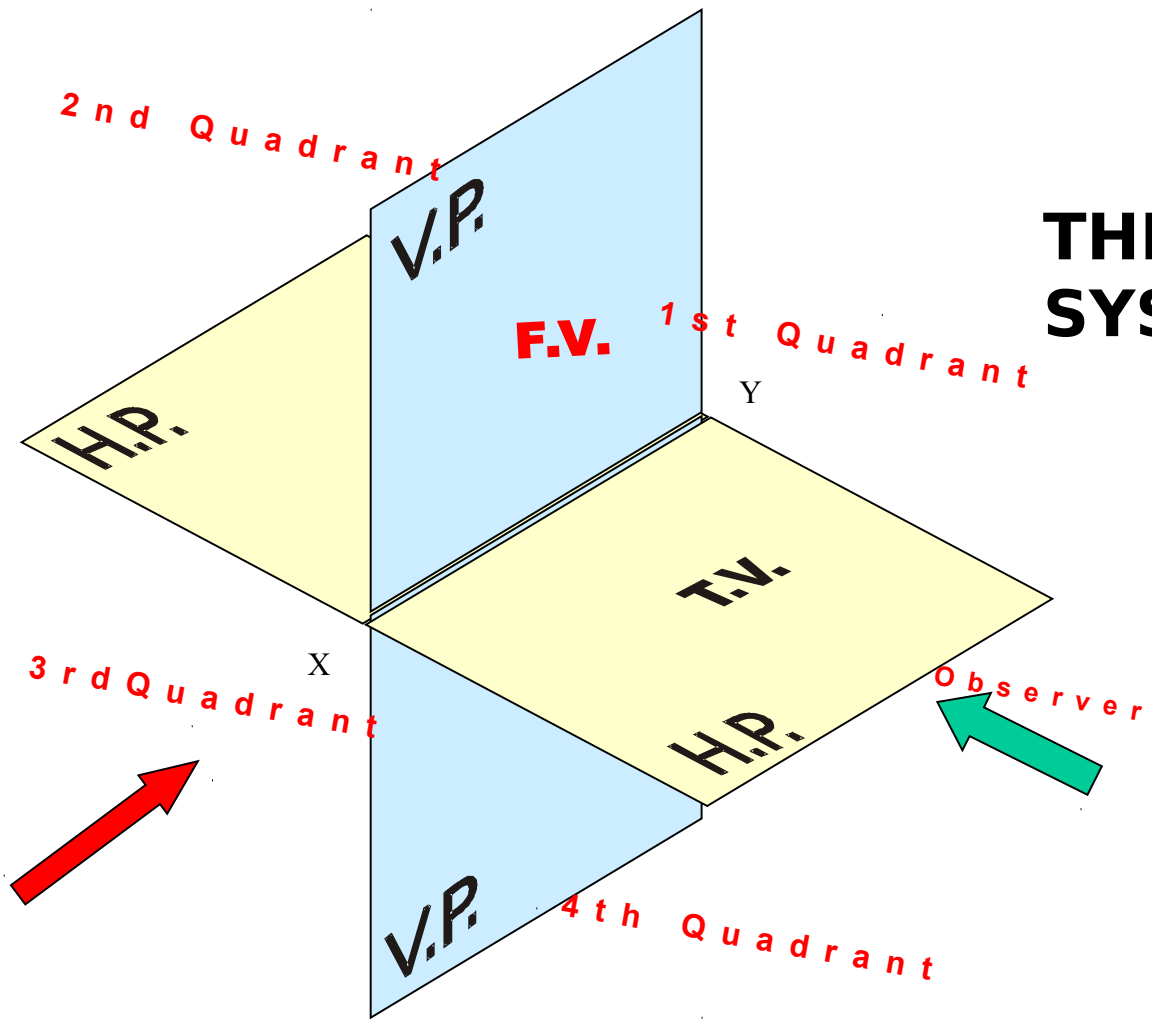
**ENGINEERING GRAPHICS**

**S1 ME 2017**

SESSION 1

# ORTHOGRAPHIC PROJECTIONS

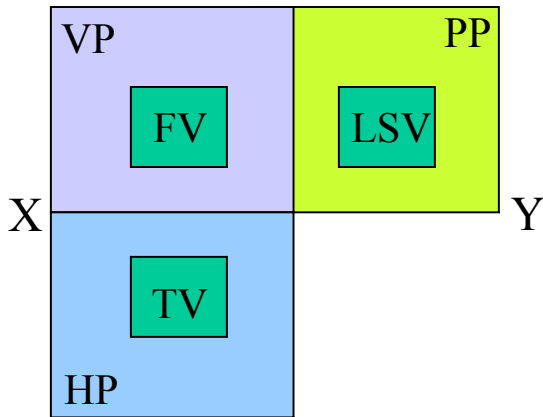
# THE QUADRANT SYSTEM



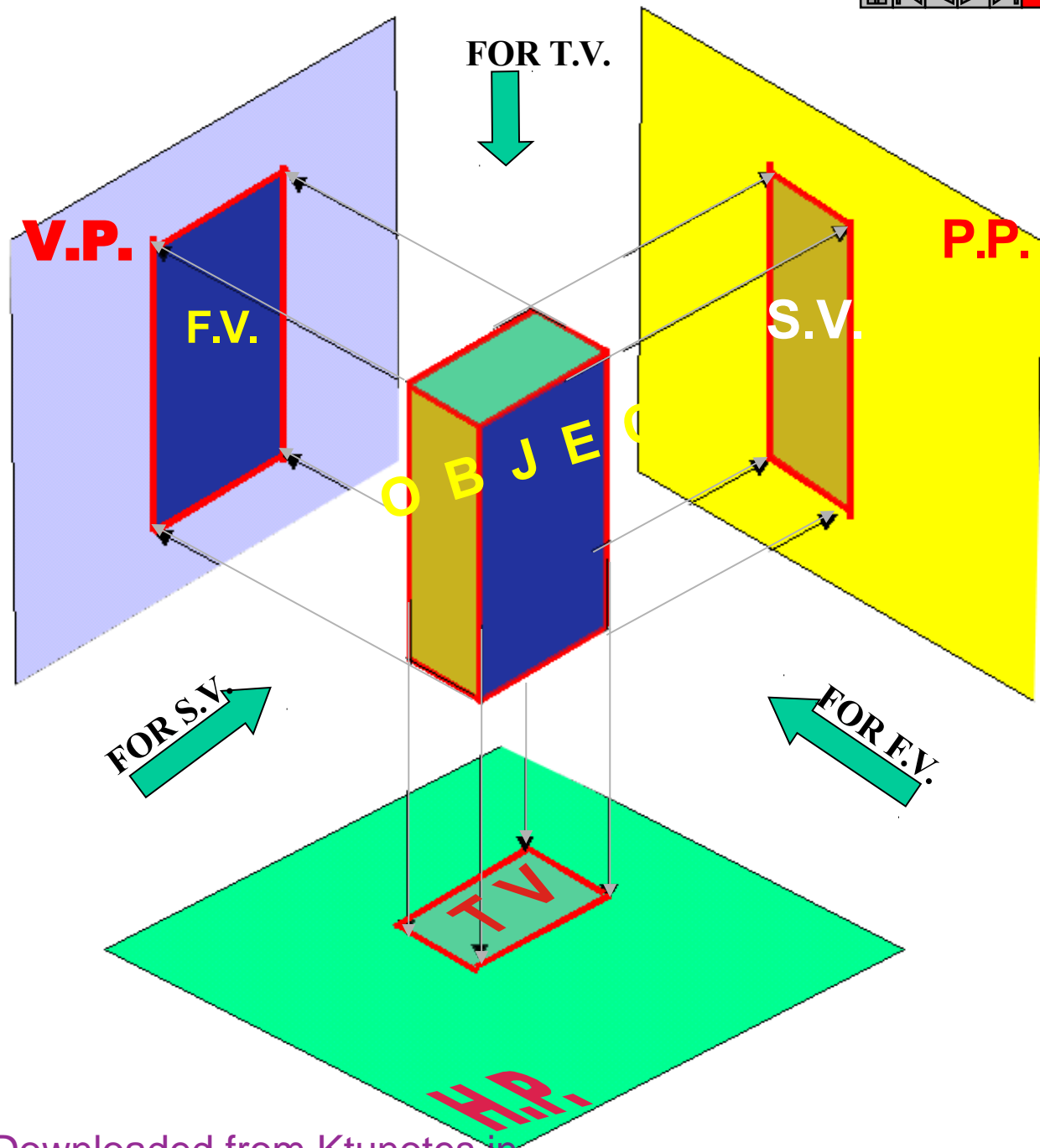
# FIRST ANGLE PROJECTION

IN THIS METHOD,  
THE OBJECT IS ASSUMED TO BE  
SITUATED IN FIRST QUADRANT  
MEANS  
ABOVE HP & INFRONT OF VP.

OBJECT IS IN BETWEEN  
OBSERVER & PLANE.



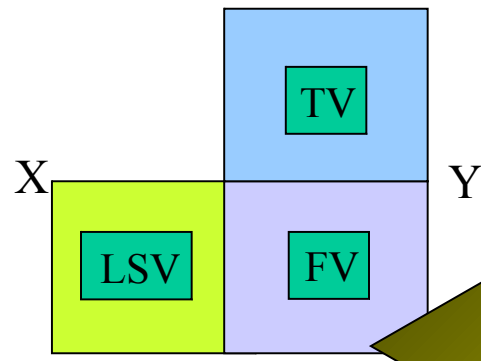
**ACTUAL PATTERN OF  
PLANES & VIEWS  
IN  
FIRST ANGLE METHOD  
OF PROJECTIONS**



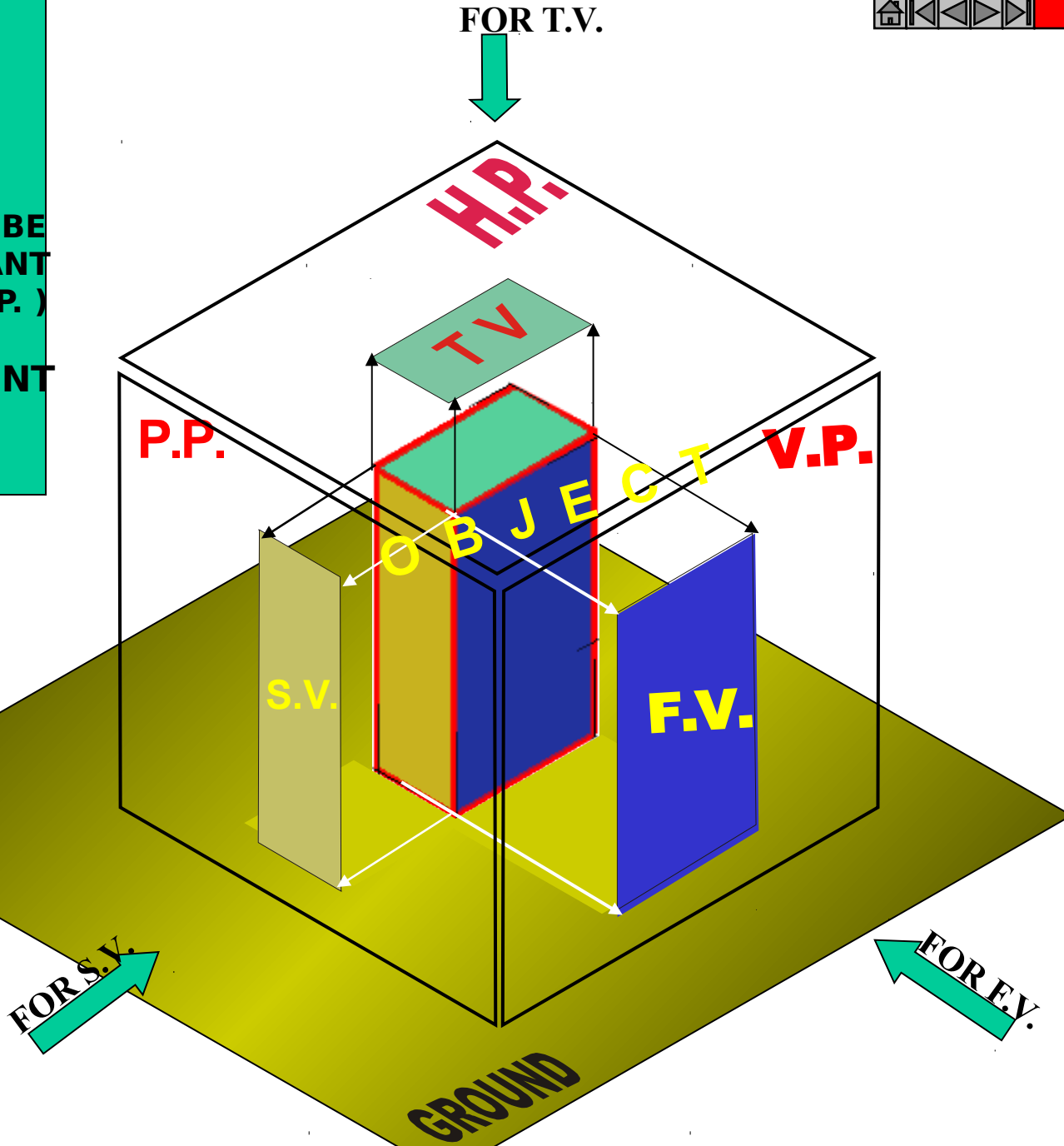
# THIRD ANGLE PROJECTION

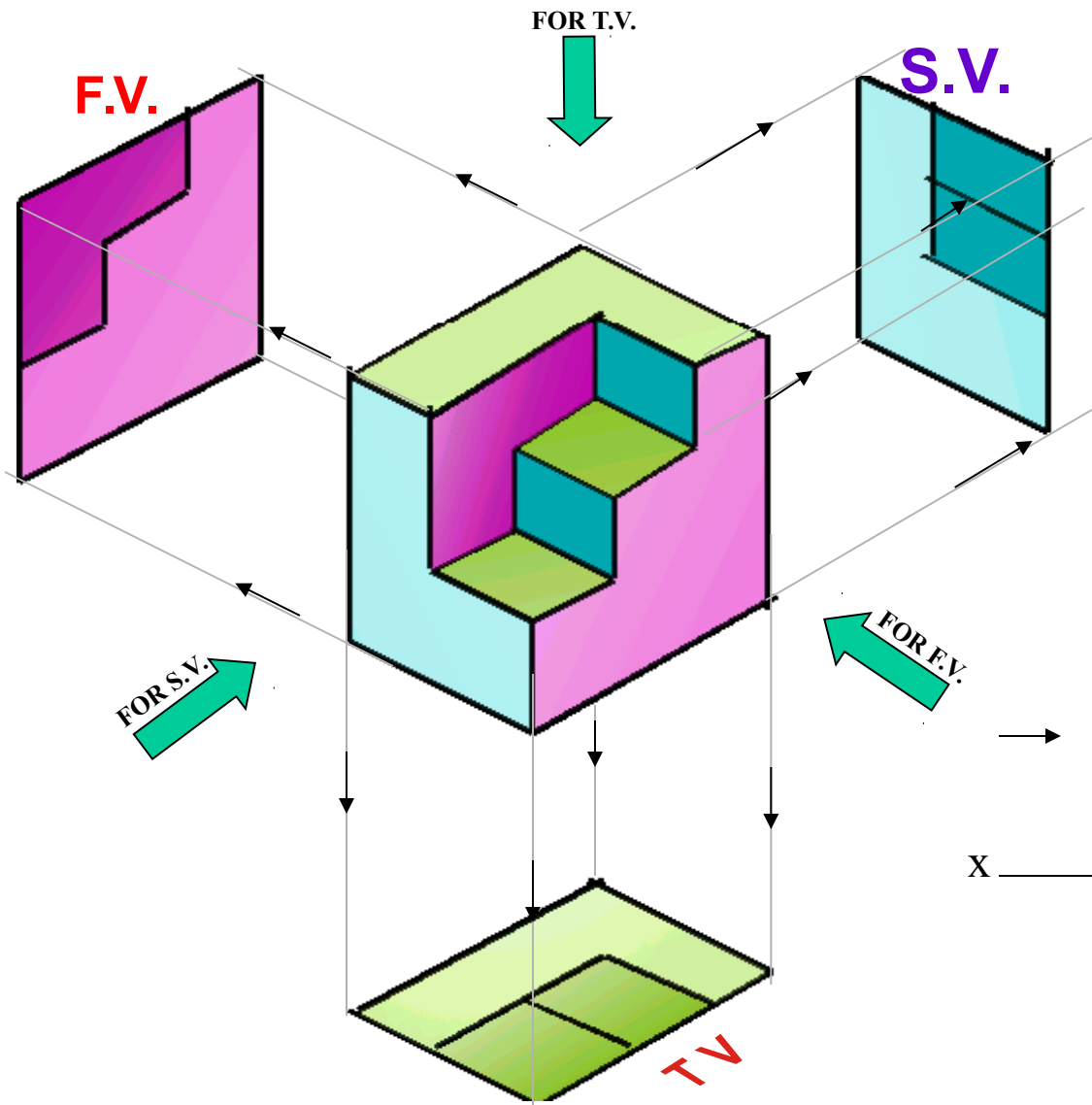
IN THIS METHOD, THE OBJECT IS ASSUMED TO BE SITUATED IN THIRD QUADRANT ( BELOW HP & BEHIND OF VP. )

PLANES BEING TRANSPERENT AND INBETWEEN OBSERVER & OBJECT.

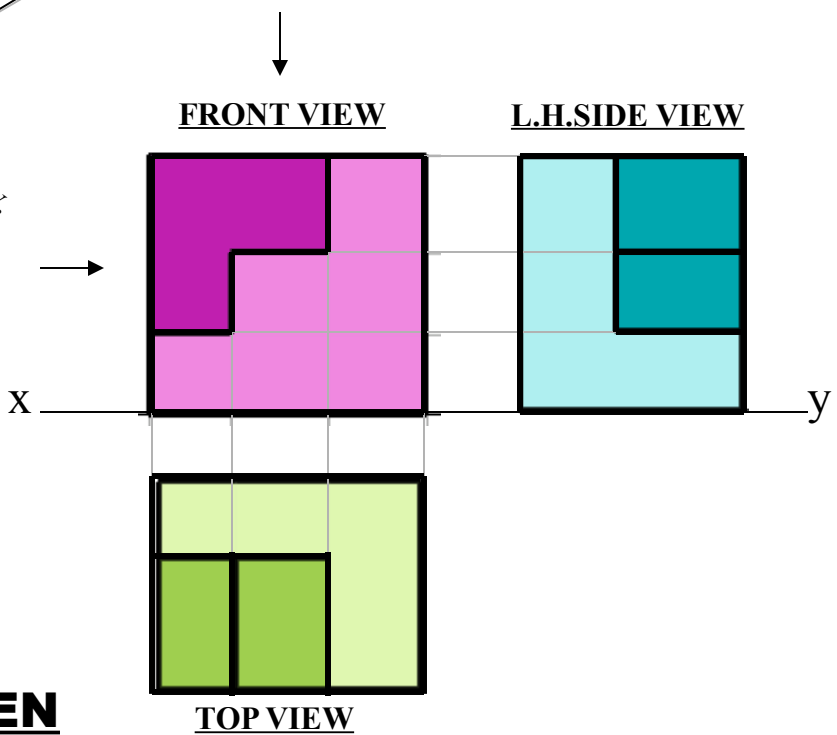


ACTUAL PATTERN OF PLANES & VIEWS OF THIRD ANGLE PROJECTIONS

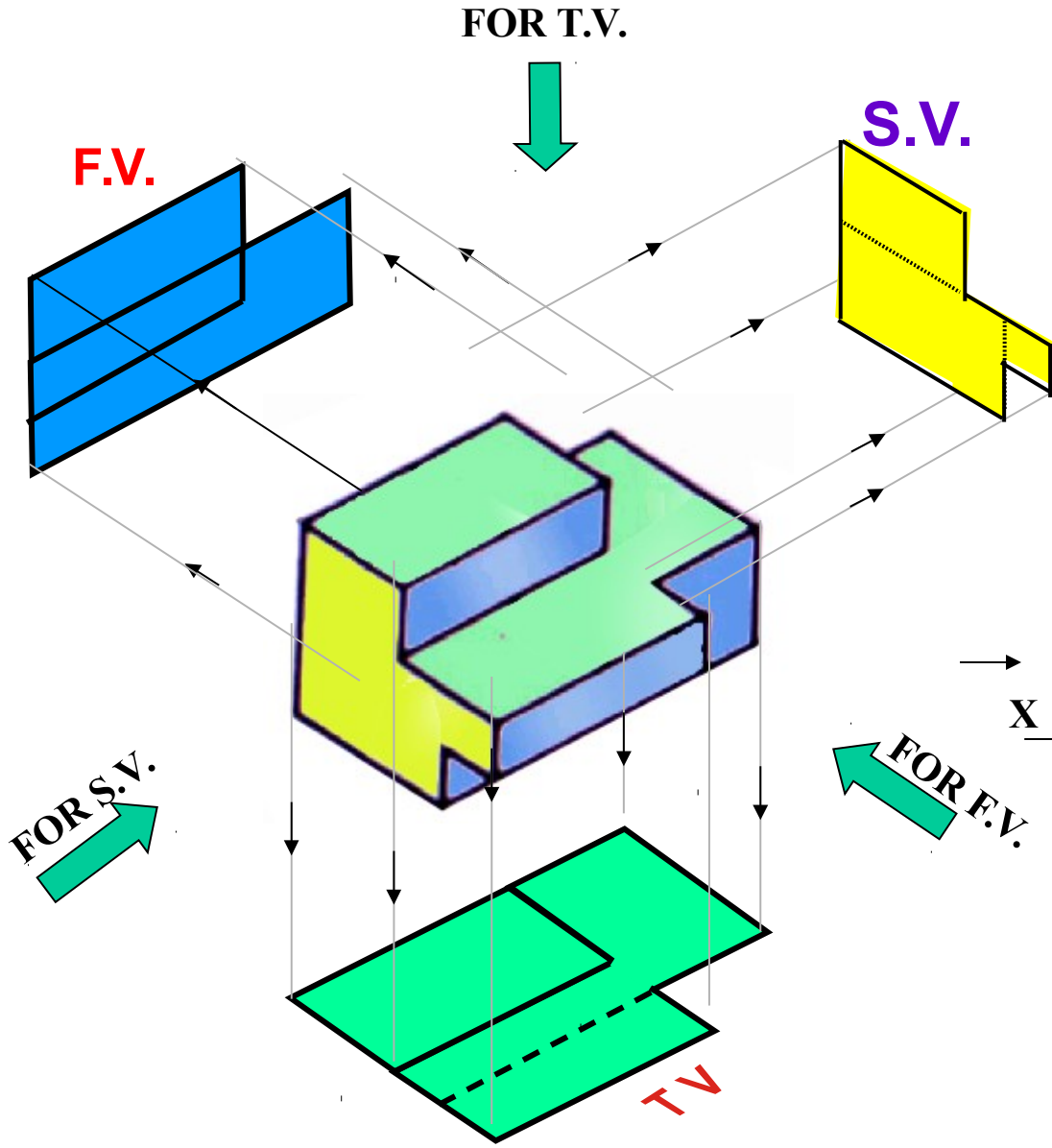




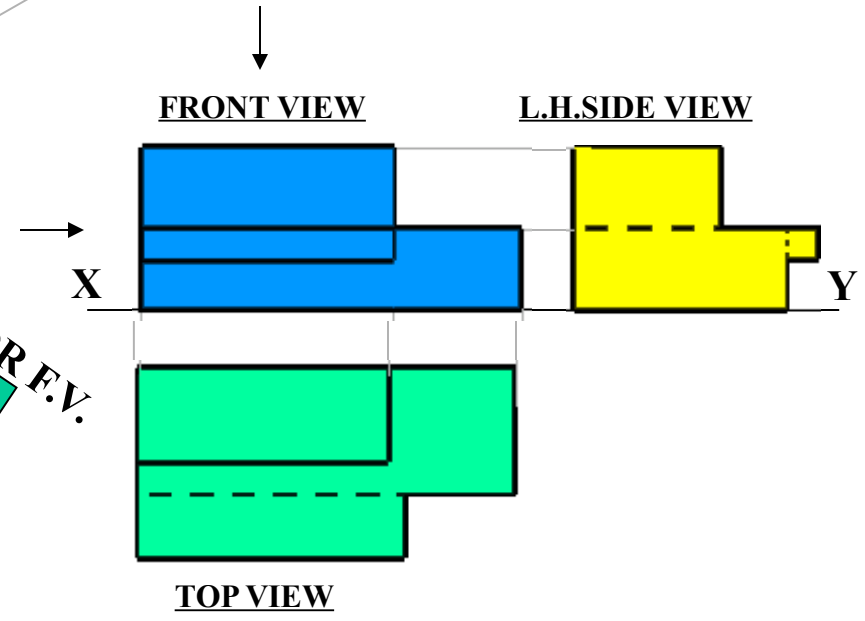
**ORTHOGRAPHIC PROJECTIONS**



**PICTORIAL PRESENTATION IS GIVEN**  
**DRAW THREE VIEWS OF THIS OBJECT**  
**BY FIRST ANGLE PROJECTION METHOD**

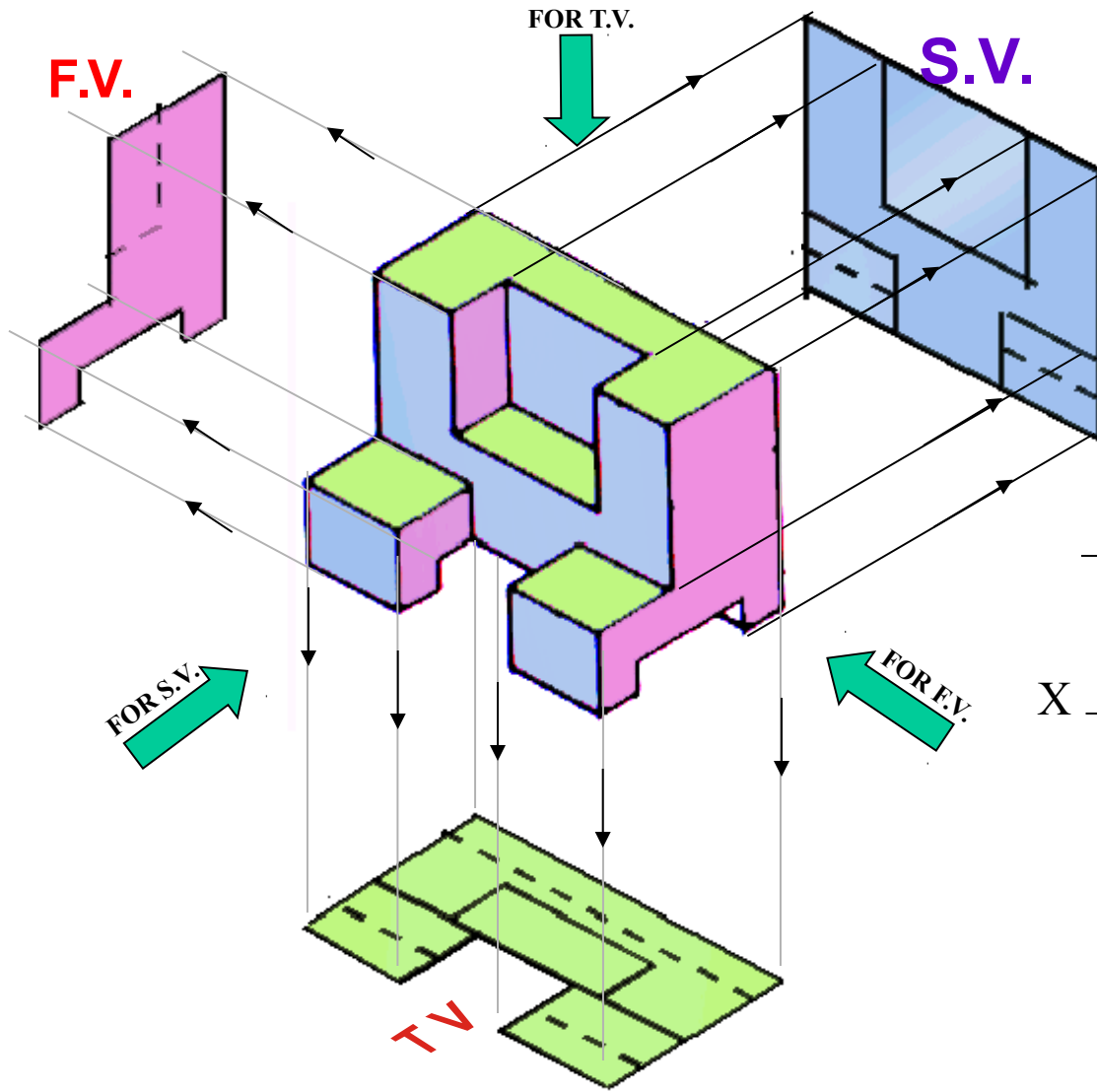


ORTHOGRAPHIC PROJECTIONS

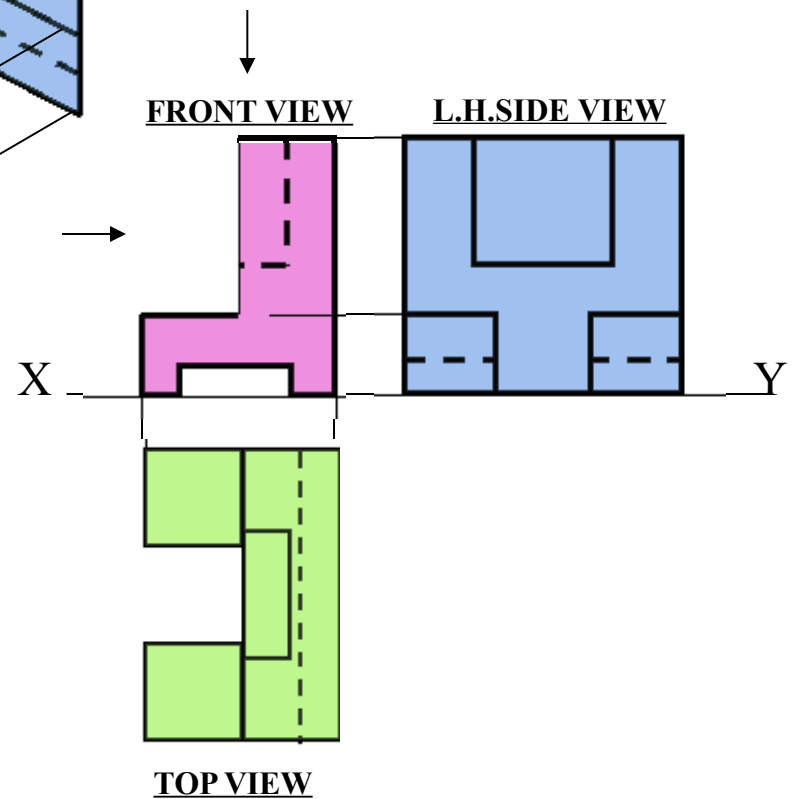


**PICTORIAL PRESENTATION IS GIVEN**

**DRAW THREE VIEWS OF THIS OBJECT  
BY FIRST ANGLE PROJECTION METHOD**



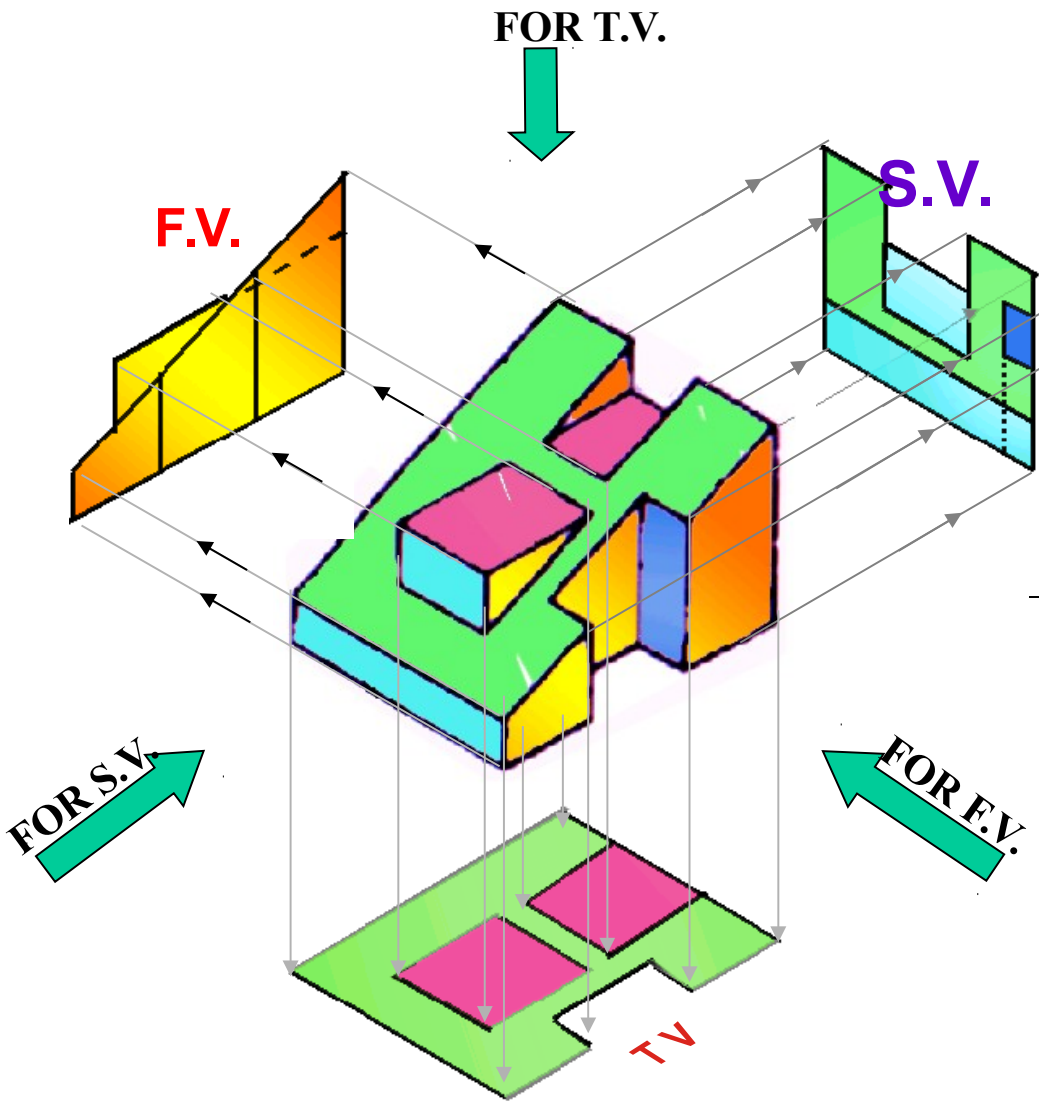
**ORTHOGRAPHIC PROJECTIONS**



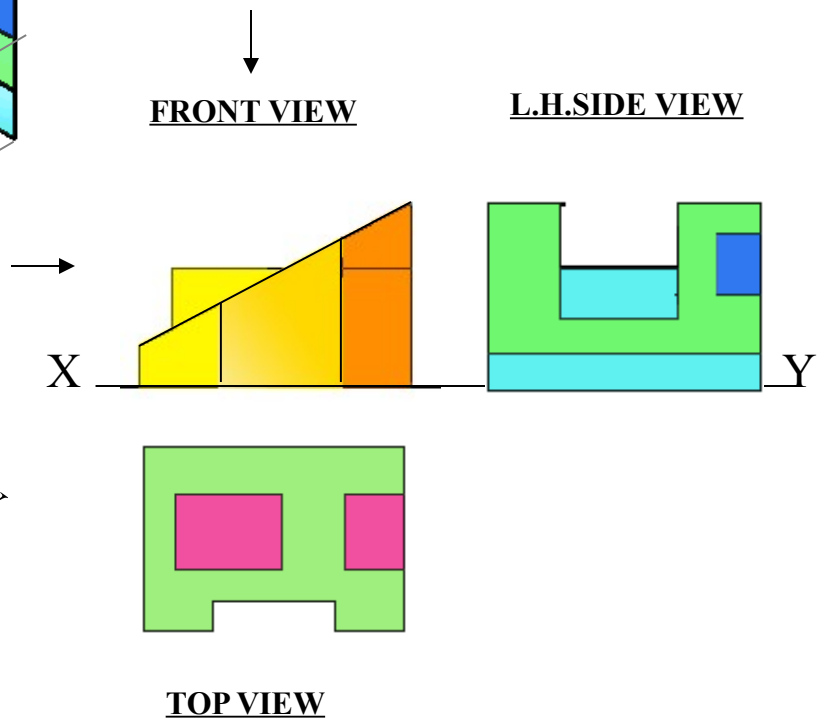
**PICTORIAL PRESENTATION IS GIVEN**

**DRAW THREE VIEWS OF THIS OBJECT  
BY FIRST ANGLE PROJECTION METHOD**





**ORTHOGRAPHIC PROJECTIONS**

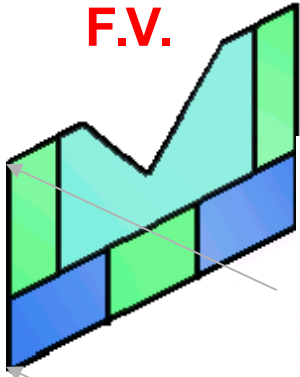


**PICTORIAL PRESENTATION IS GIVEN**  
**DRAW THREE VIEWS OF THIS OBJECT**  
**BY FIRST ANGLE PROJECTION METHOD**

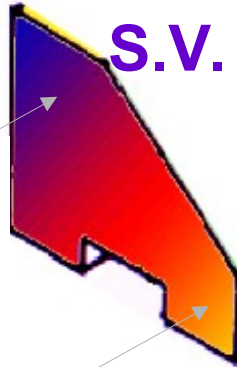
FOR T.V.



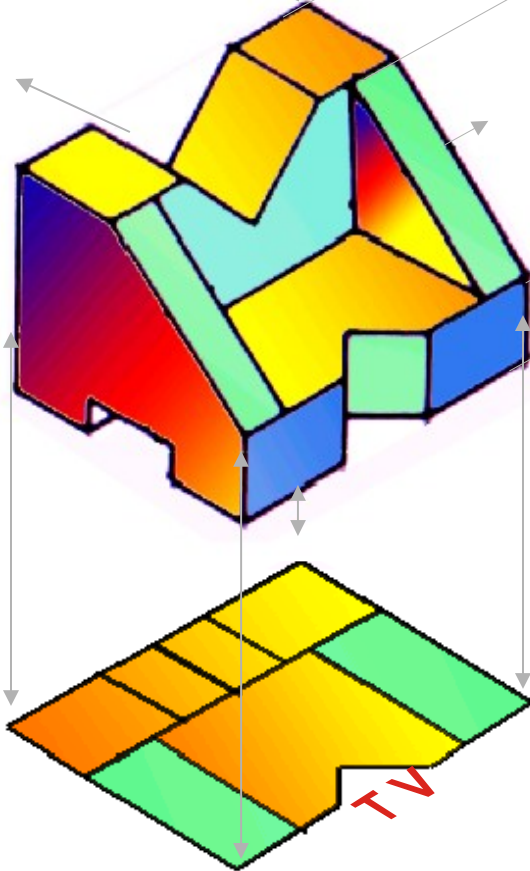
F.V.



S.V.



FOR S.V.

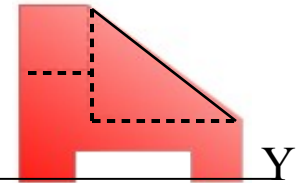
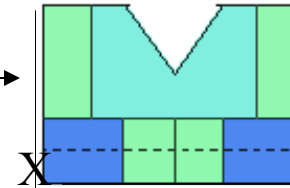


FOR F.V.

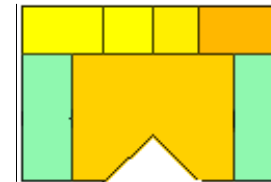
**ORTHOGRAPHIC PROJECTIONS**

FRONT VIEW

L.H.SIDE VIEW

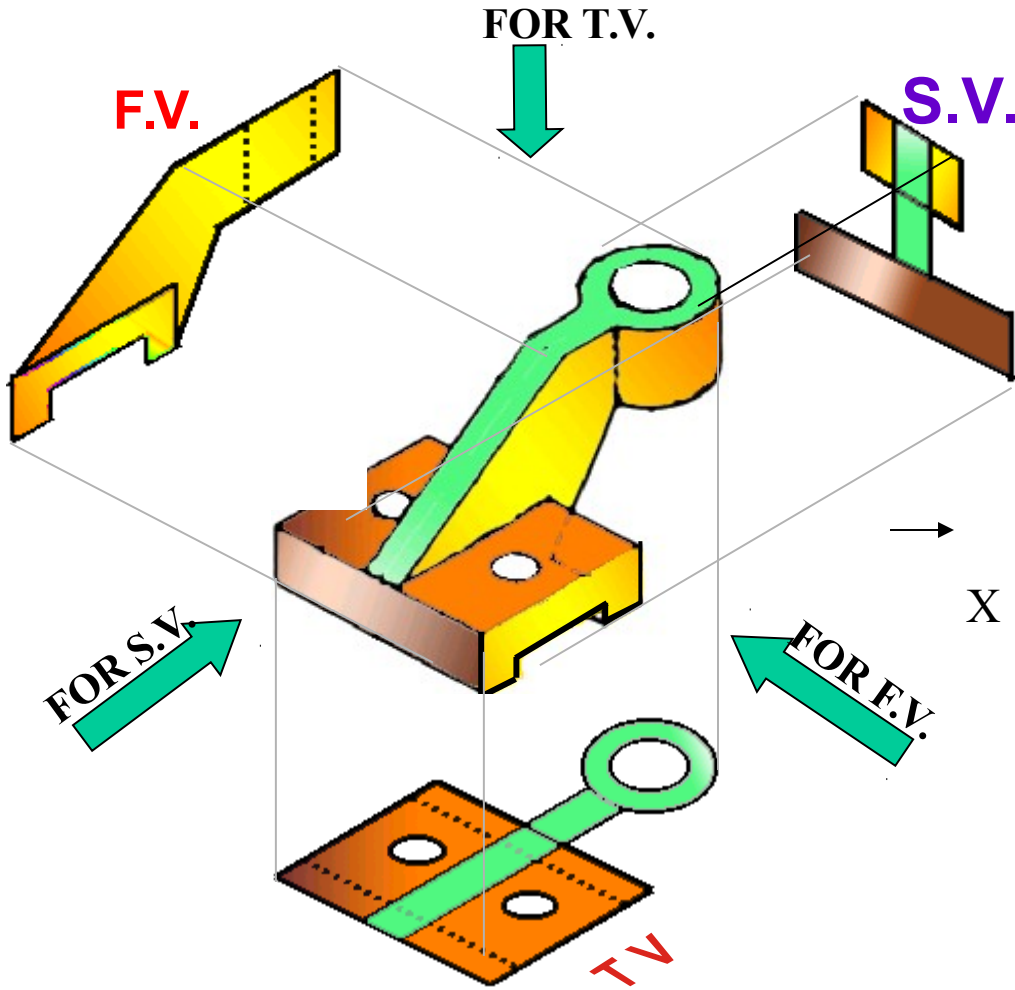


TOP VIEW

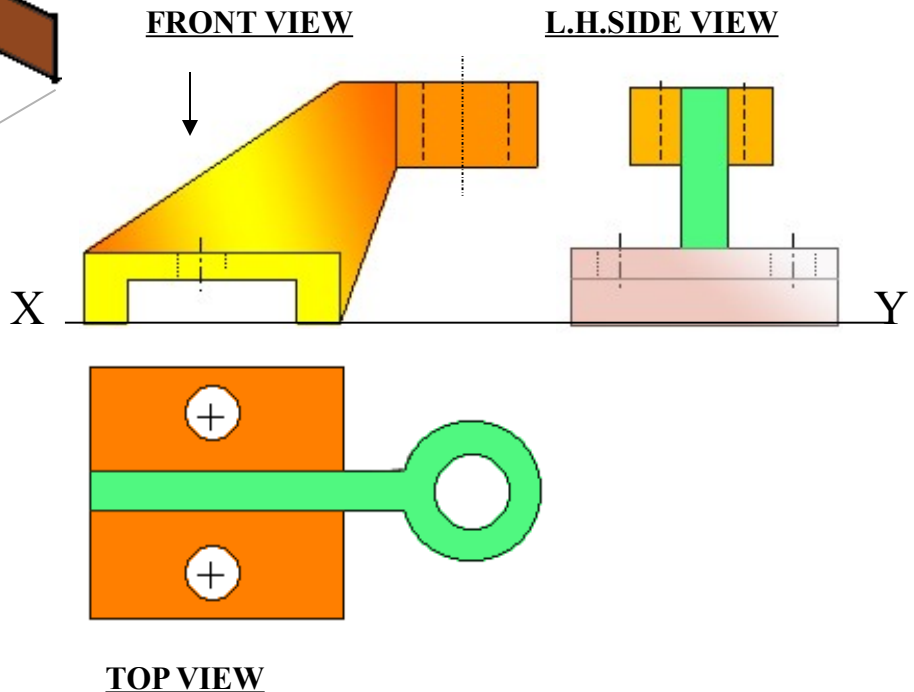


**PICTORIAL PRESENTATION IS GIVEN**

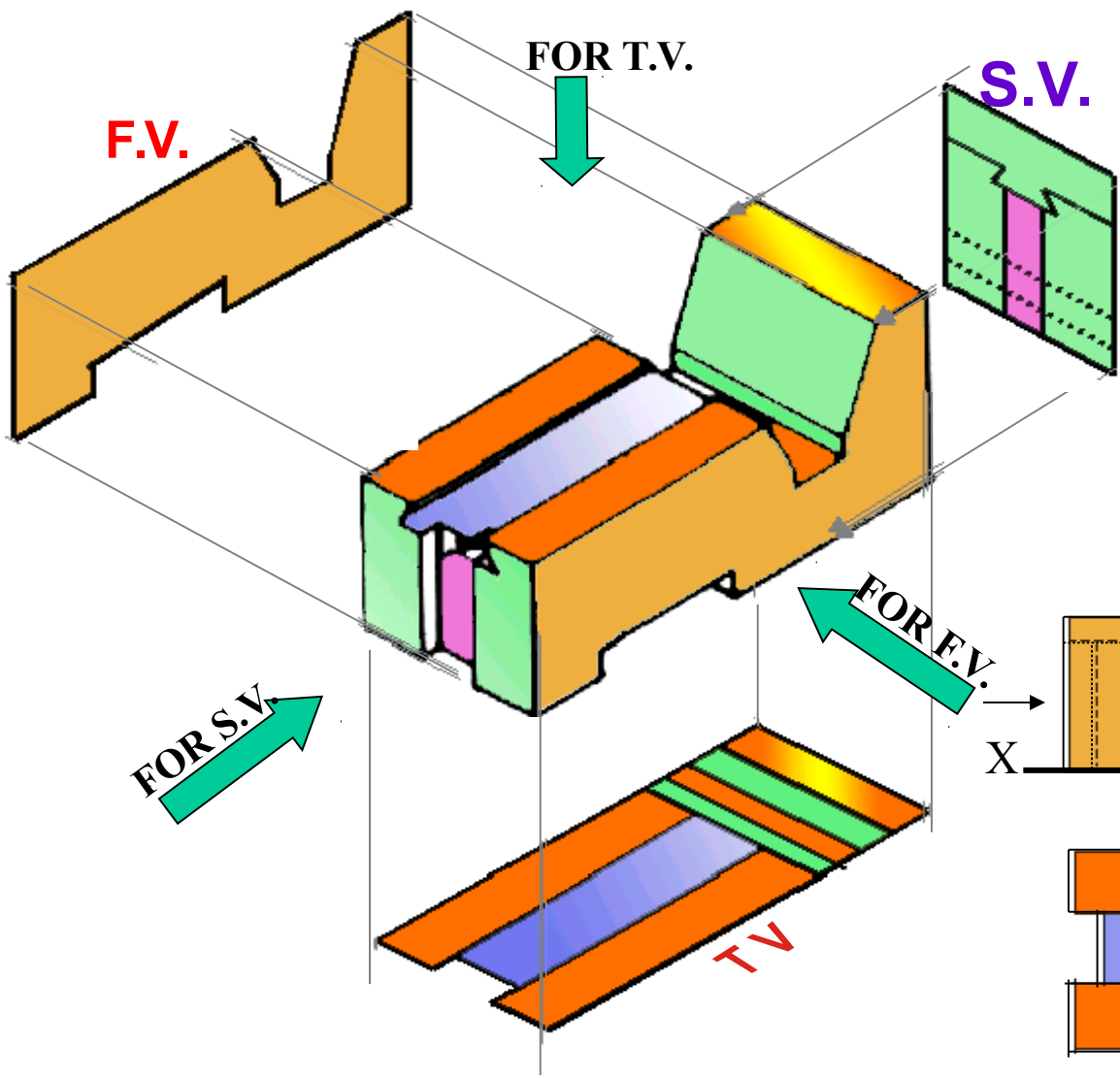
**DRAW THREE VIEWS OF THIS OBJECT  
BY FIRST ANGLE PROJECTION METHOD**



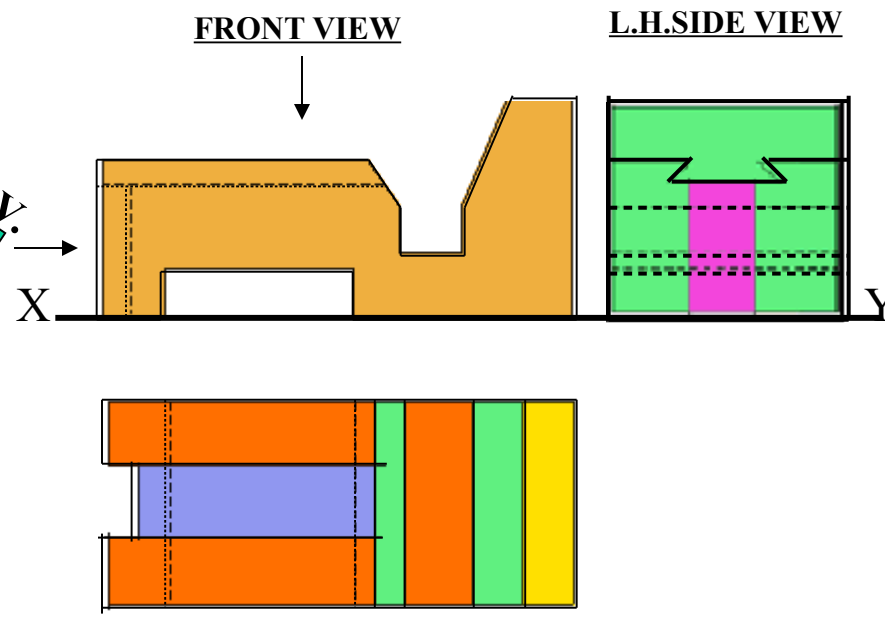
ORTHOGRAPHIC PROJECTIONS



**PICTORIAL PRESENTATION IS GIVEN**  
**DRAW THREE VIEWS OF THIS OBJECT**  
**BY FIRST ANGLE PROJECTION METHOD**



**ORTHOGRAPHIC PROJECTIONS**

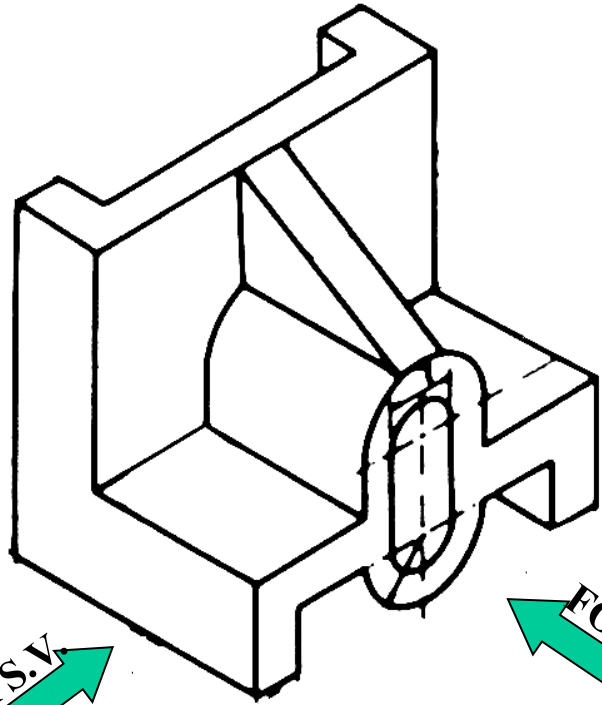


**PICTORIAL PRESENTATION IS GIVEN**

**DRAW THREE VIEWS OF THIS OBJECT  
BY FIRST ANGLE PROJECTION METHOD**

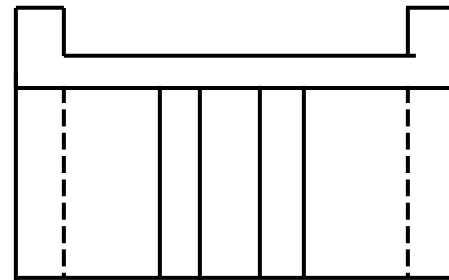
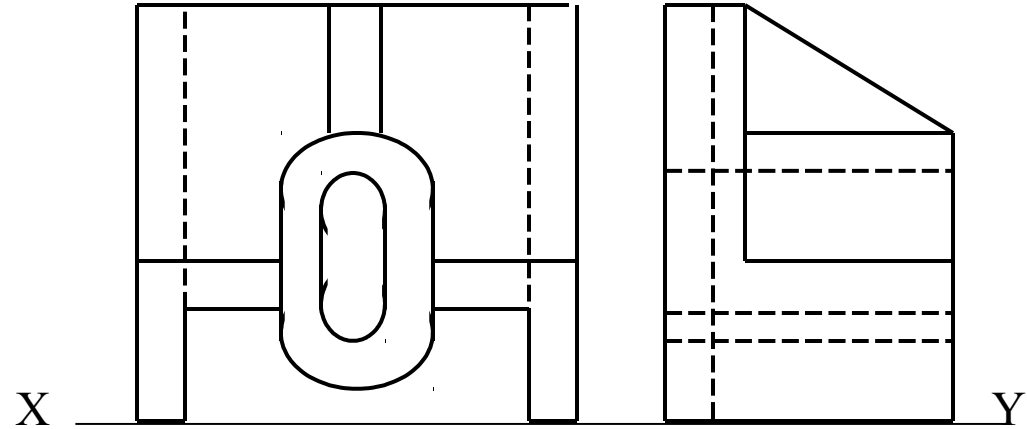
# ORTHOGRAPHIC PROJECTIONS

FOR T.V.



FRONT VIEW

L.H.SIDE VIEW



TOP VIEW

**PICTORIAL PRESENTATION IS GIVEN**

**DRAW THREE VIEWS OF THIS OBJECT  
BY FIRST ANGLE PROJECTION METHOD**

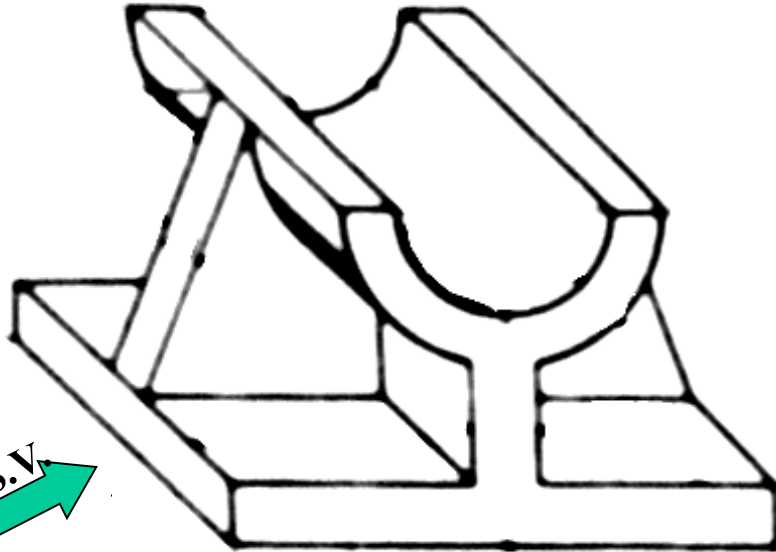
# ORTHOGRAPHIC PROJECTIONS

FOR T.V.

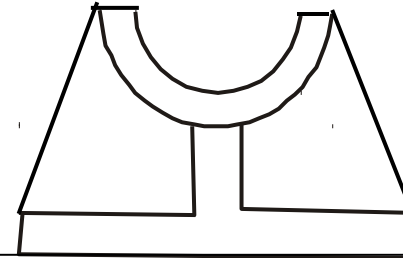


FRONT VIEW

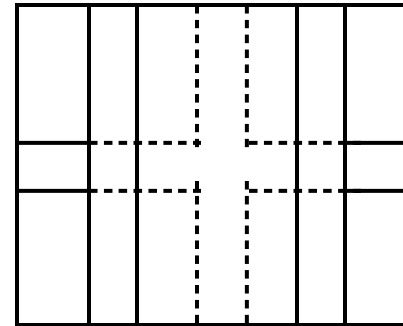
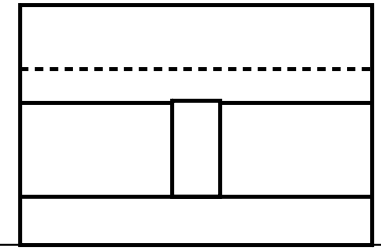
L.H.SIDE VIEW



X



Y

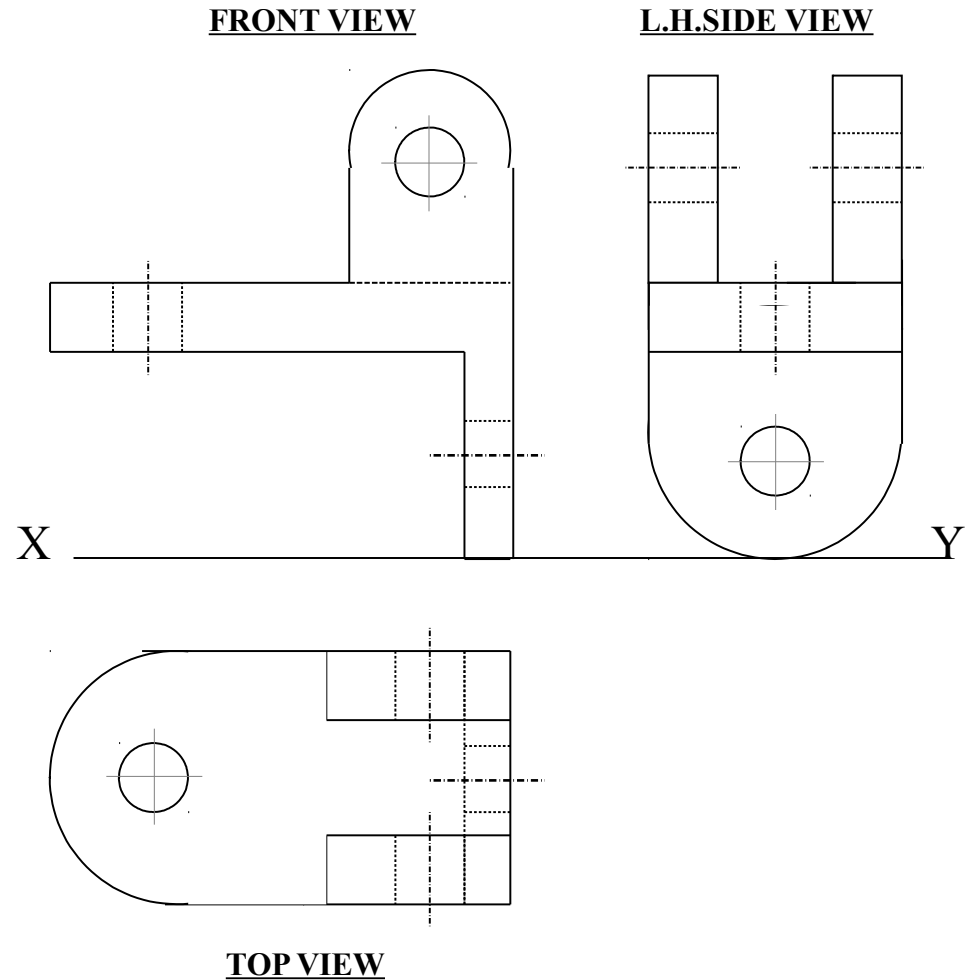
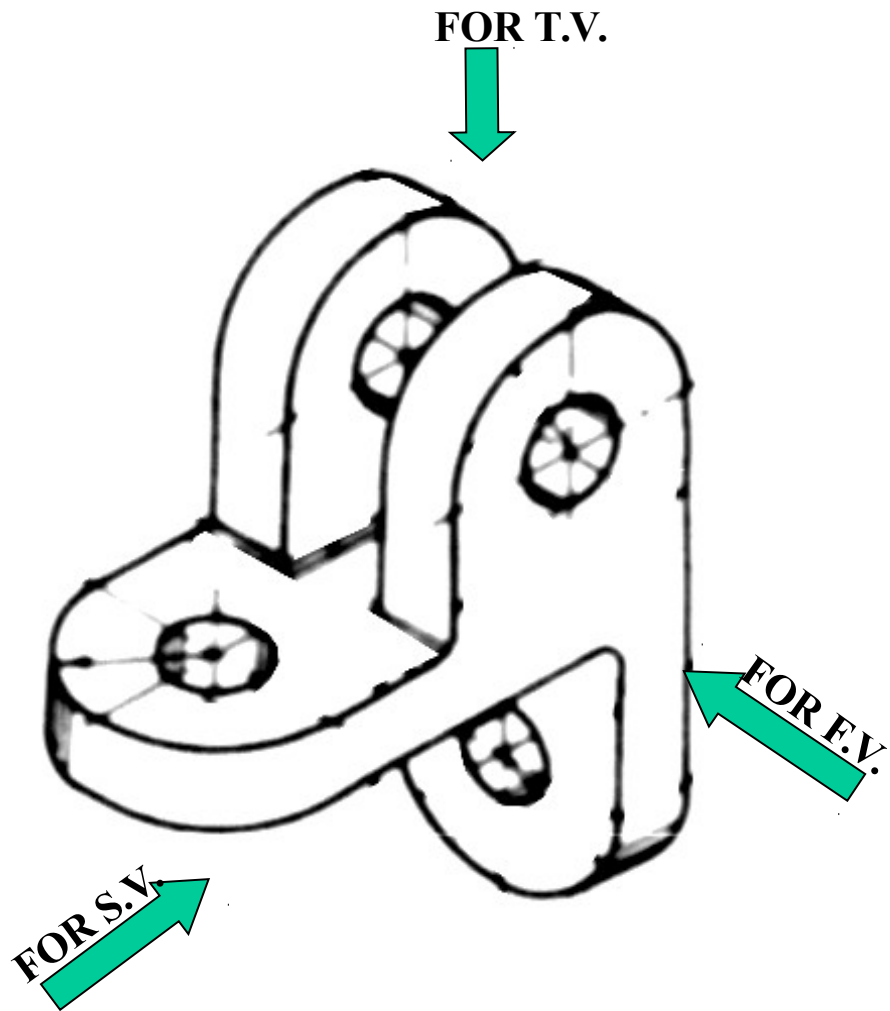


TOP VIEW

**PICTORIAL PRESENTATION IS GIVEN**

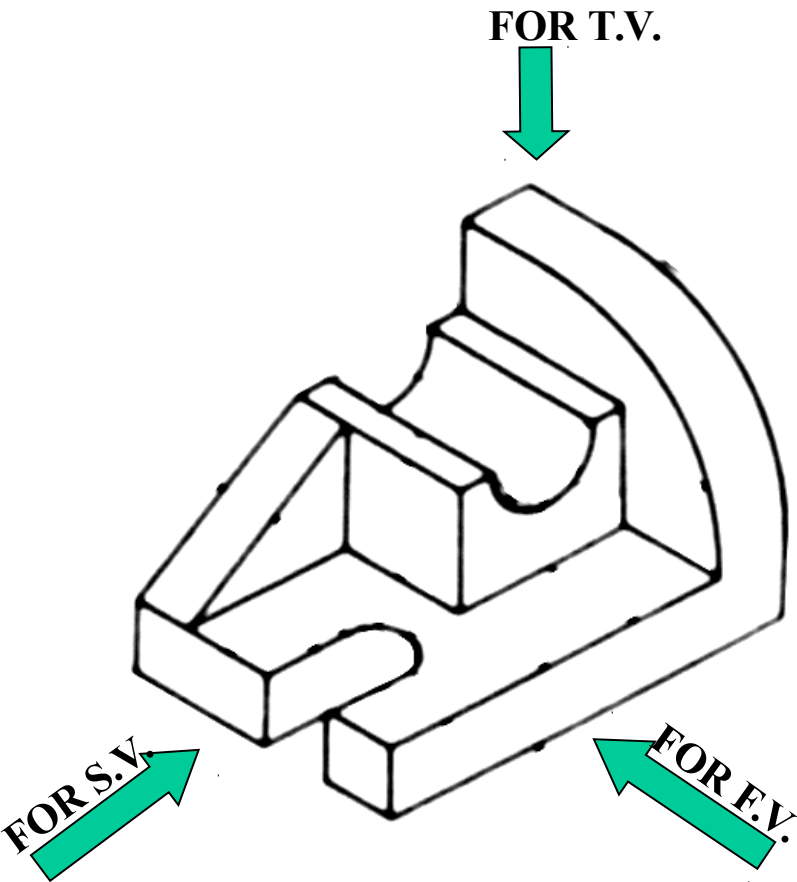
**DRAW THREE VIEWS OF THIS OBJECT  
BY FIRST ANGLE PROJECTION METHOD**

# ORTHOGRAPHIC PROJECTIONS

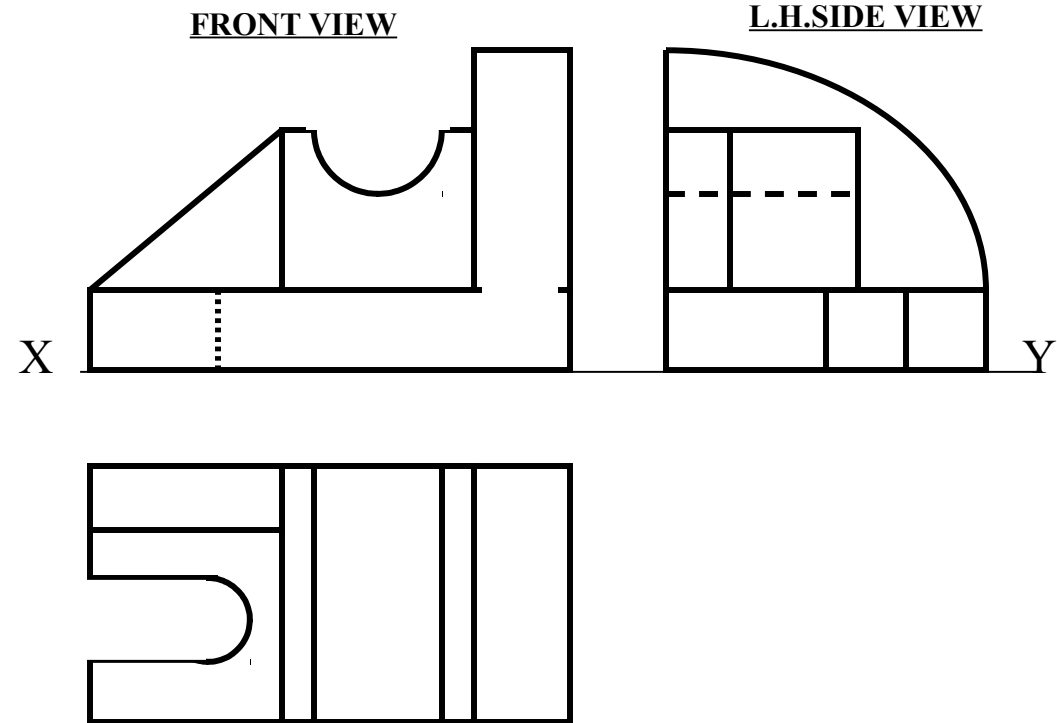


**PICTORIAL PRESENTATION IS GIVEN**

**DRAW THREE VIEWS OF THIS OBJECT  
BY FIRST ANGLE PROJECTION METHOD**



## ORTHOGRAPHIC PROJECTIONS

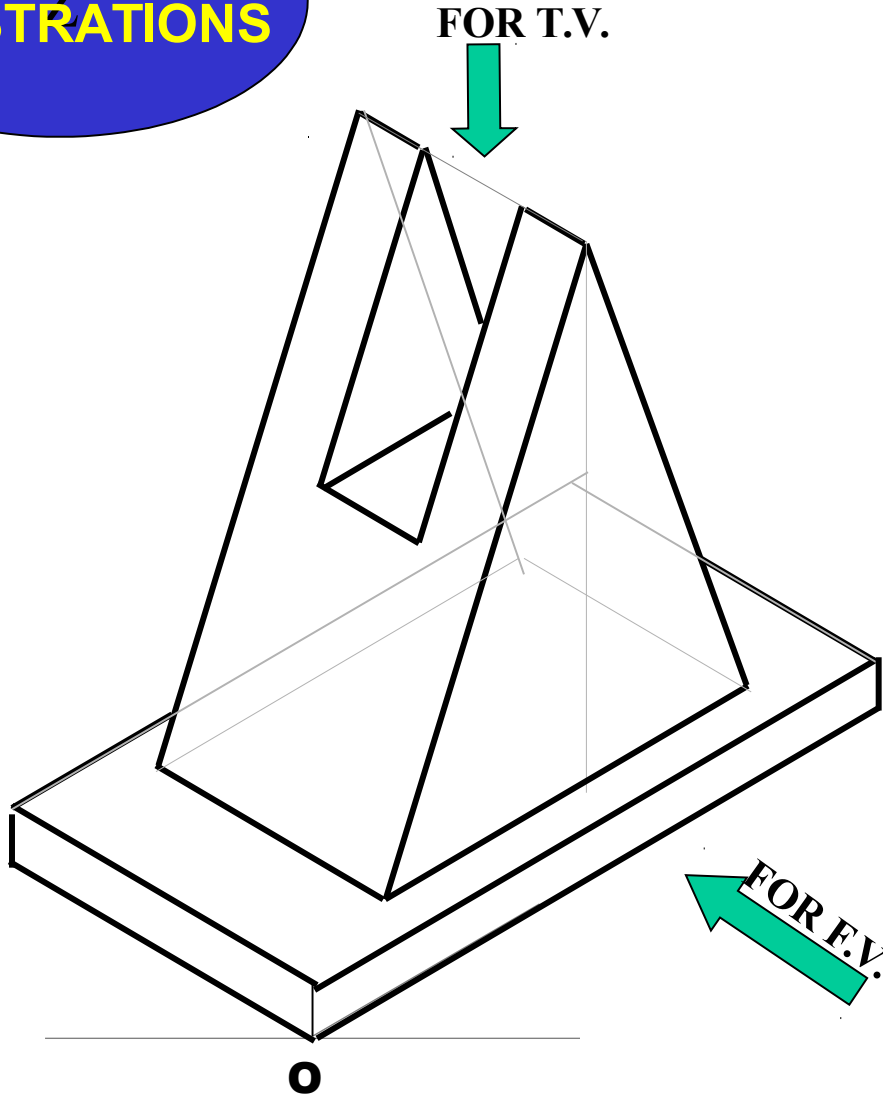


**PICTORIAL PRESENTATION IS GIVEN**

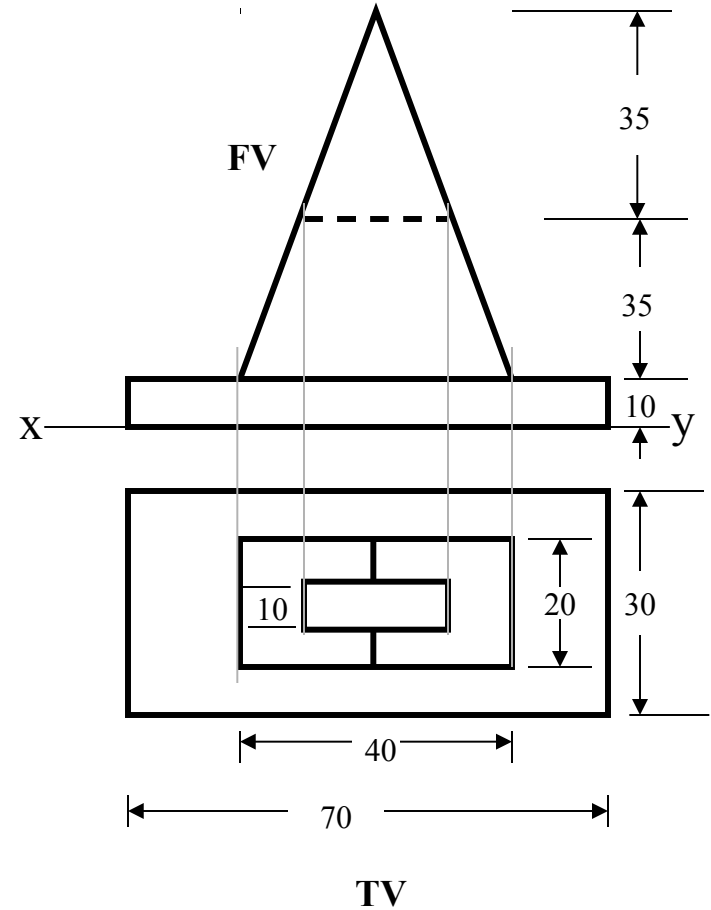
**DRAW THREE VIEWS OF THIS OBJECT  
BY FIRST ANGLE PROJECTION METHOD**



**STUDY ILLUSTRATIONS**



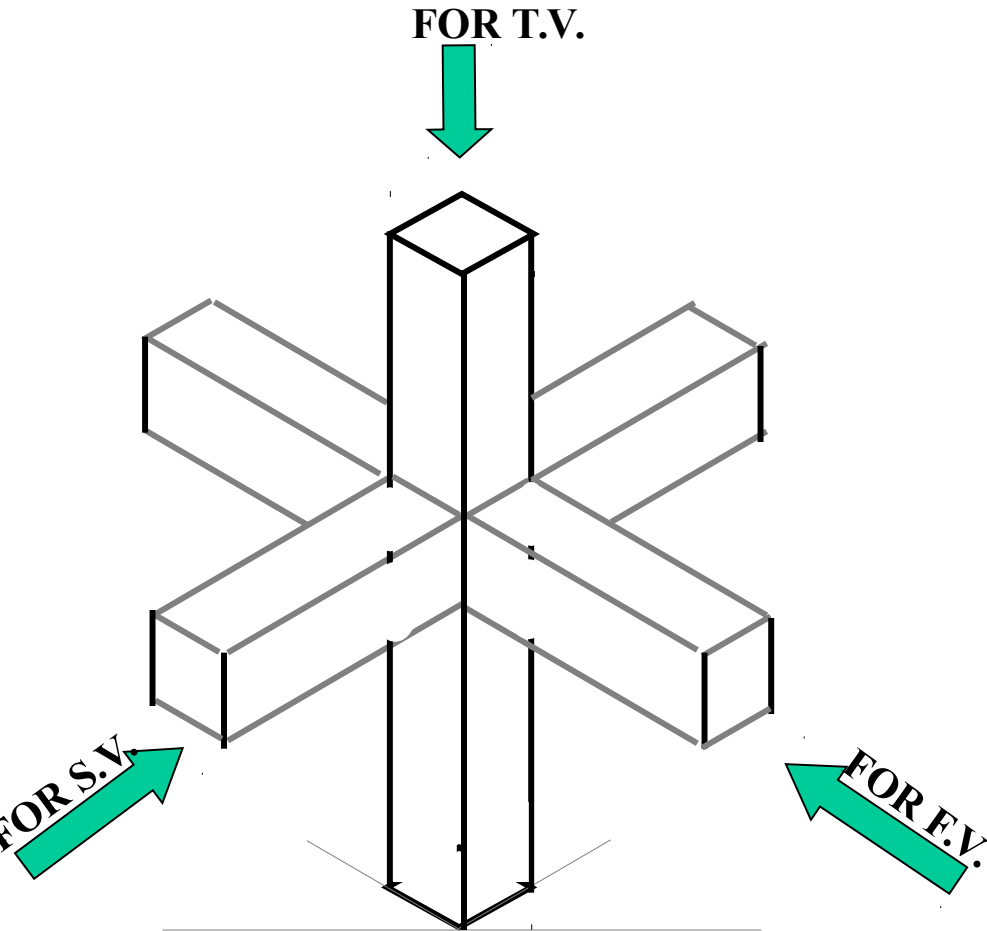
**ORTHOGRAPHIC PROJECTIONS**



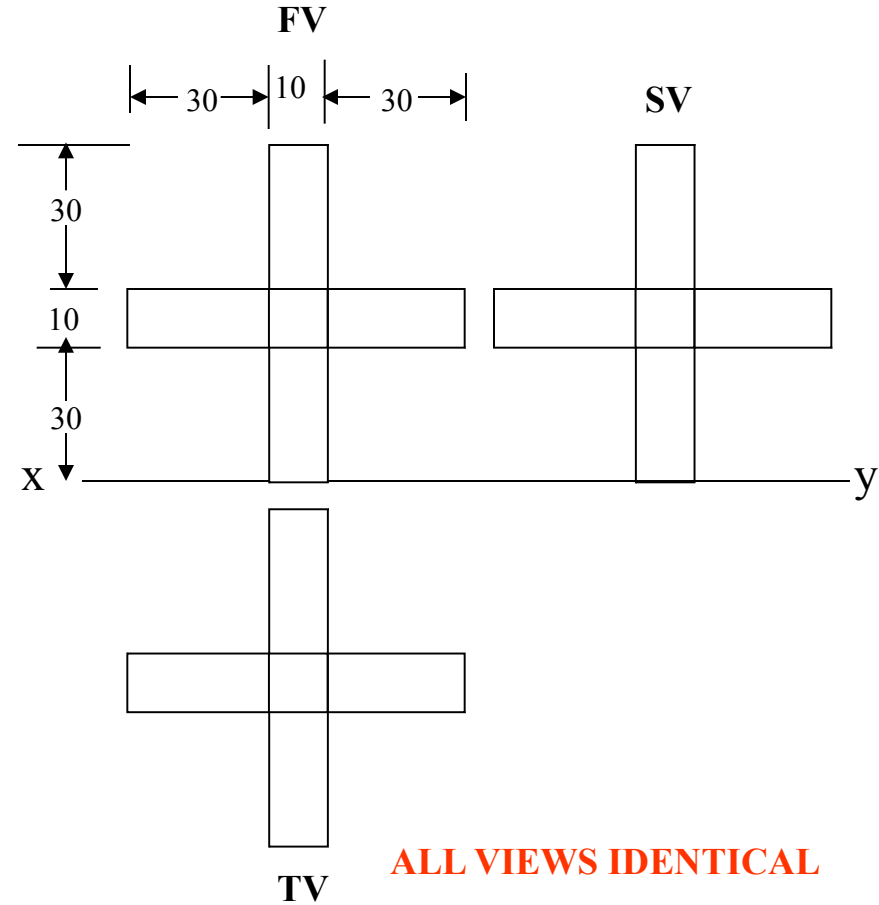
**PICTORIAL PRESENTATION IS GIVEN**

**DRAW FV AND TV OF THIS OBJECT  
BY FIRST ANGLE PROJECTION METHOD.**

# STUDY ILLUSTRATIONS



## ORTHOGRAPHIC PROJECTIONS



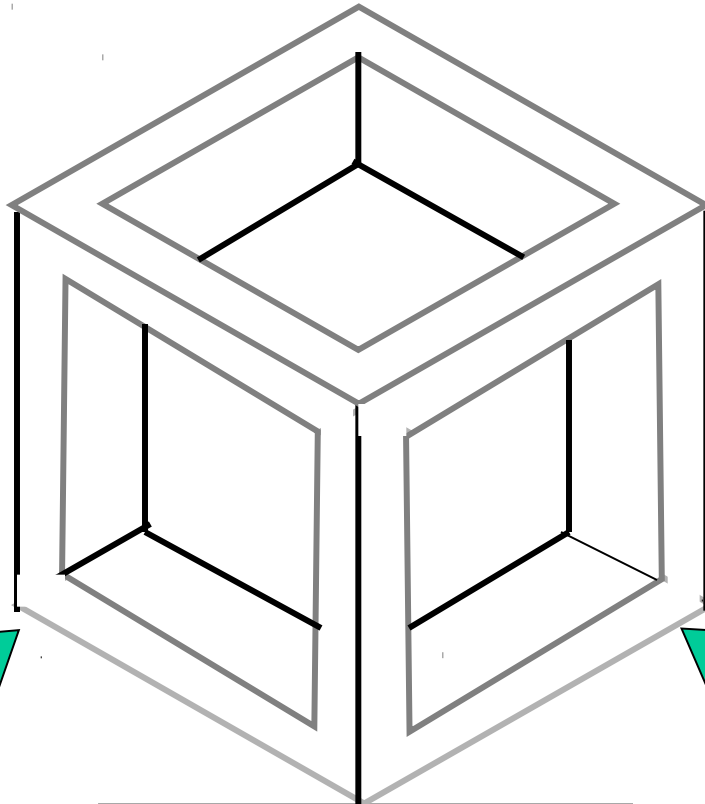
ALL VIEWS IDENTICAL

**PICTORIAL PRESENTATION IS GIVEN**

**DRAW THREE VIEWS OF THIS OBJECT  
BY FIRST ANGLE PROJECTION METHOD**

**STUDY  
ILLUSTRATIONS**

FOR T.V.



FOR S.V.



FOR F.V.

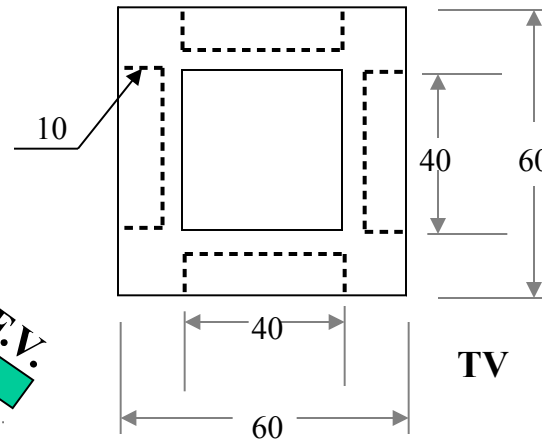
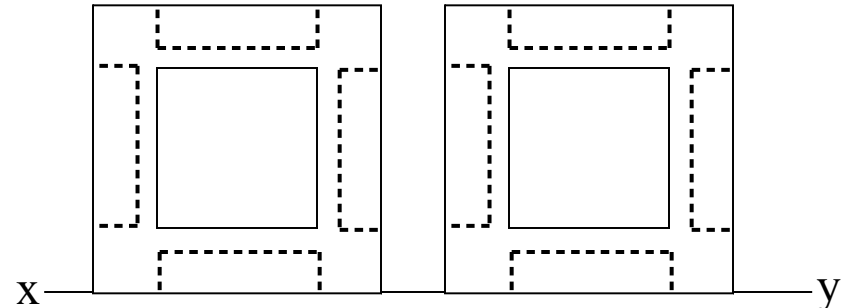


**ORTHOGRAPHIC PROJECTIONS**

**ALL VIEWS IDENTICAL**

FV

SV

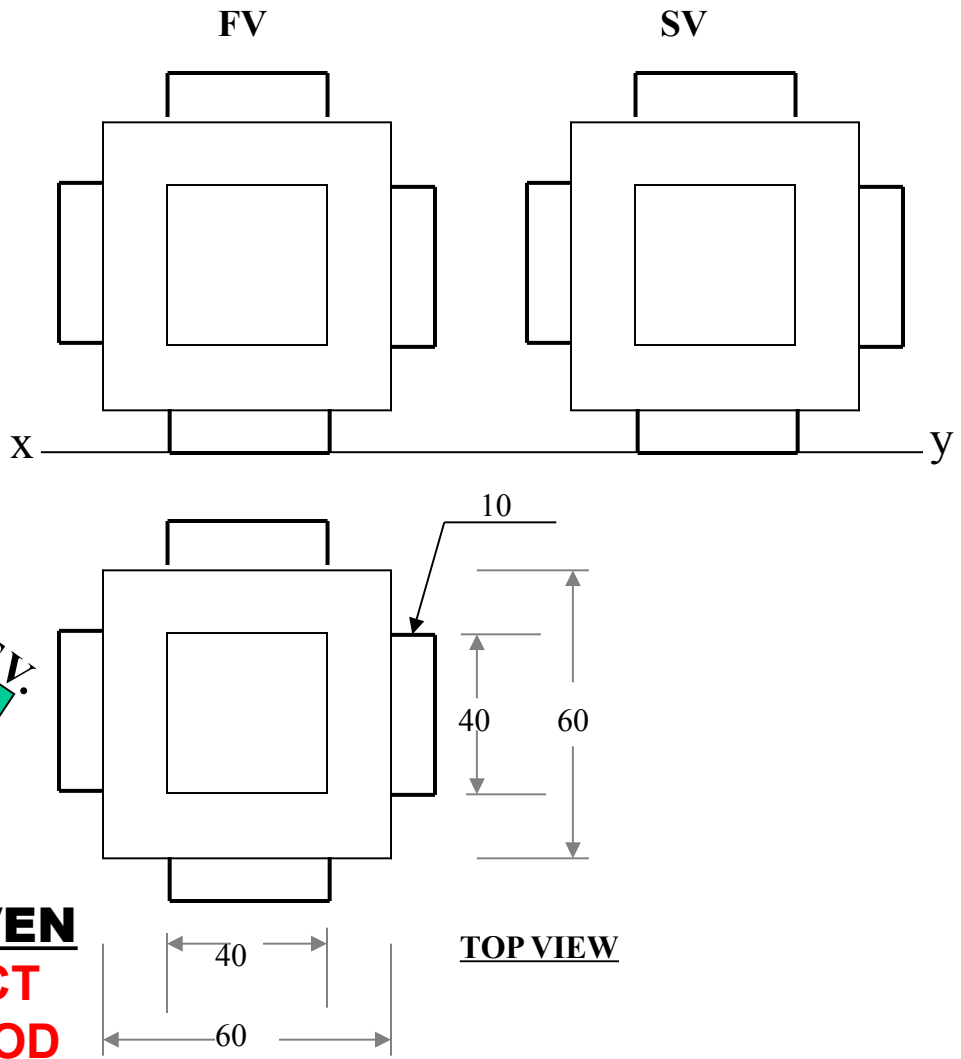
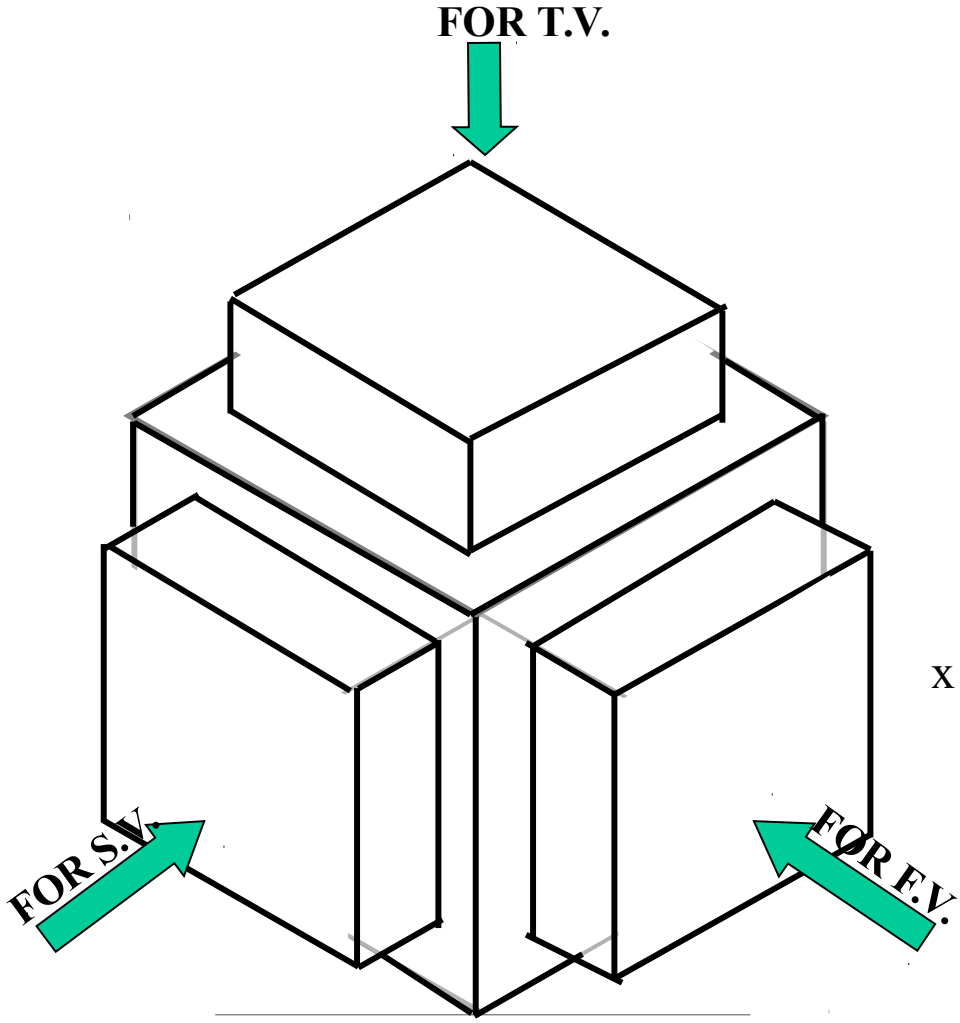


**PICTORIAL PRESENTATION IS GIVEN**

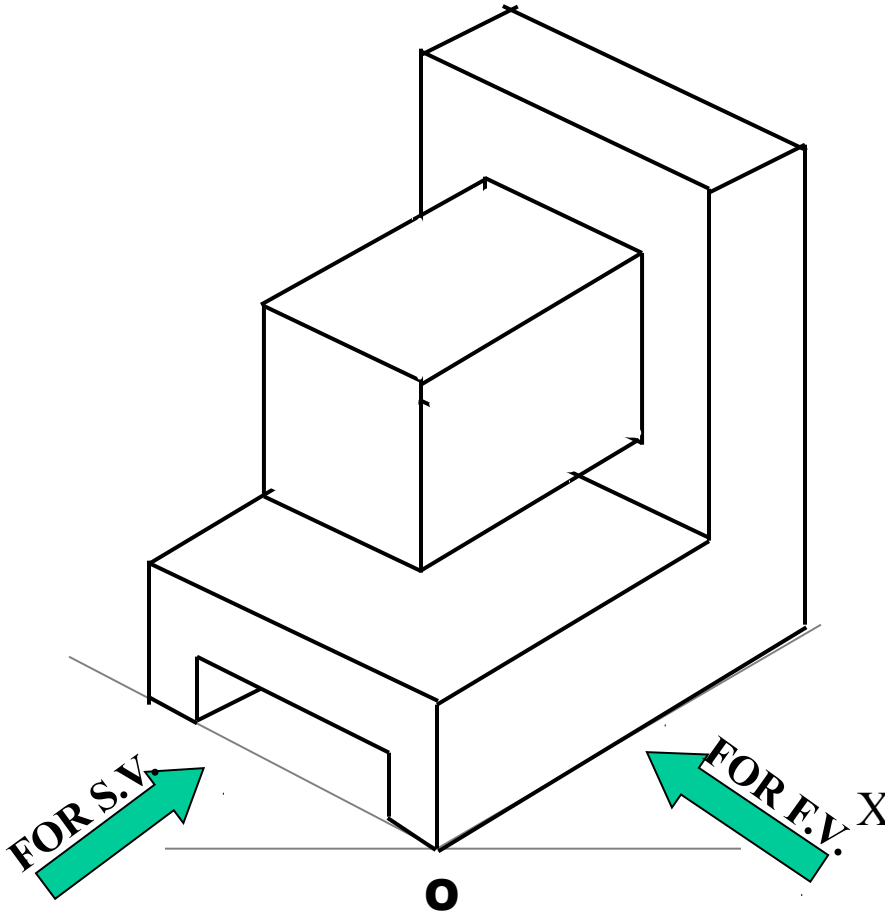
**DRAW THREE VIEWS OF THIS OBJECT  
BY FIRST ANGLE PROJECTION METHOD**

ORTHOGRAPHIC PROJECTIONS

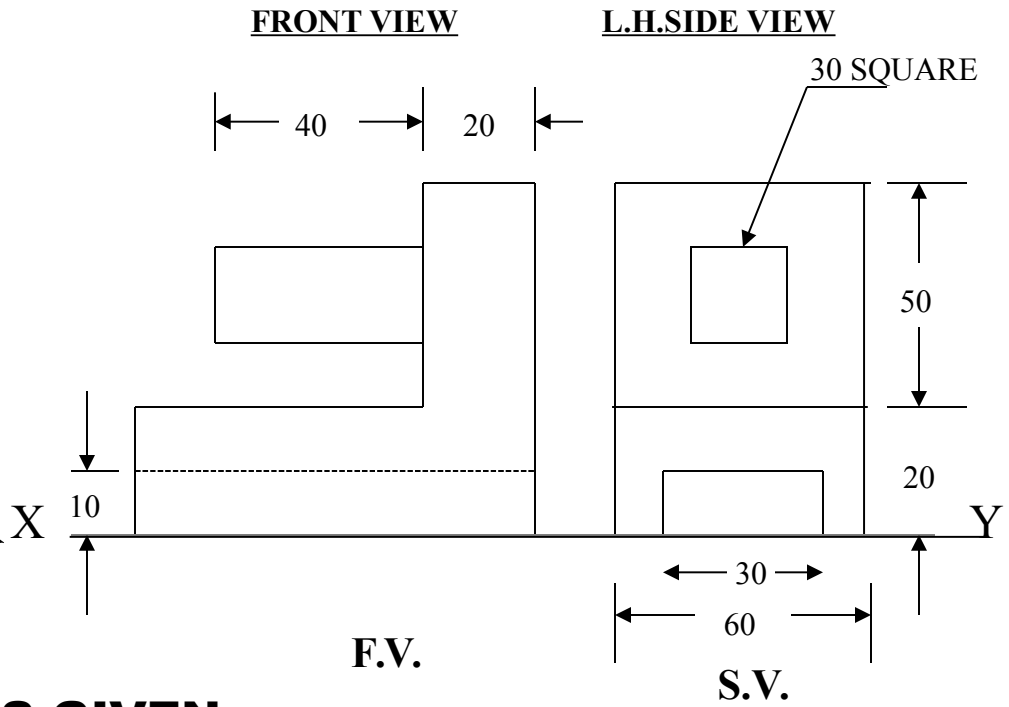
ALL VIEWS IDENTICAL



**PICTORIAL PRESENTATION IS GIVEN**  
**DRAW THREE VIEWS OF THIS OBJECT**  
**BY FIRST ANGLE PROJECTION METHOD**



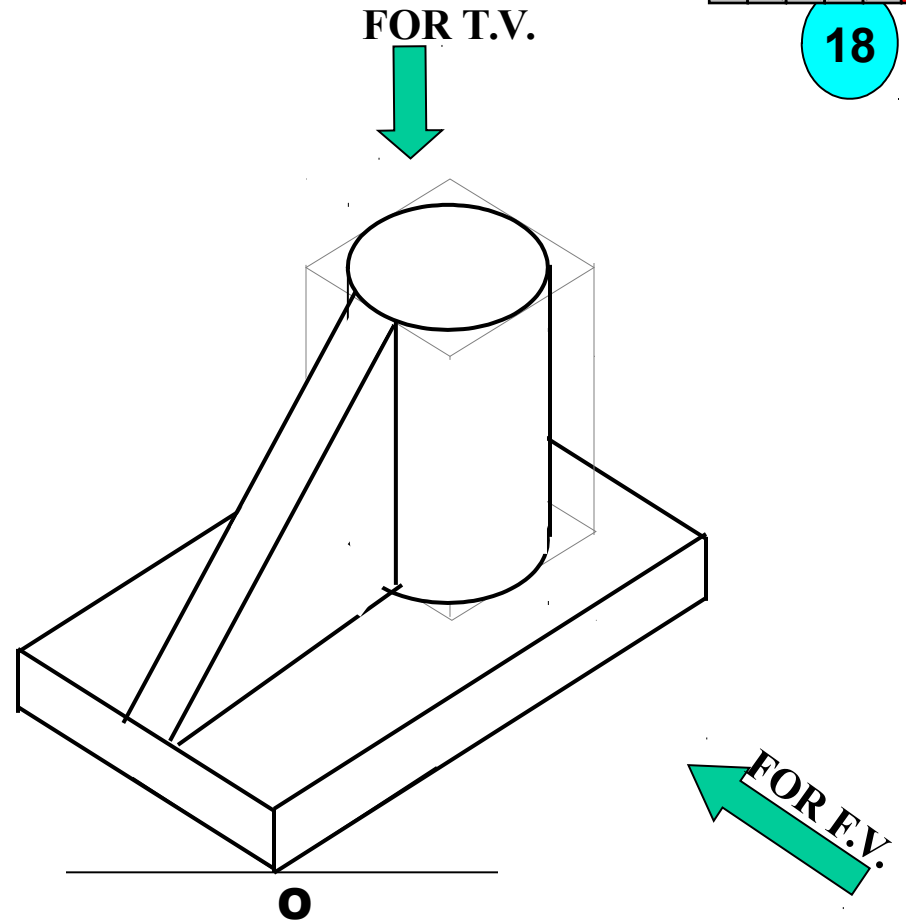
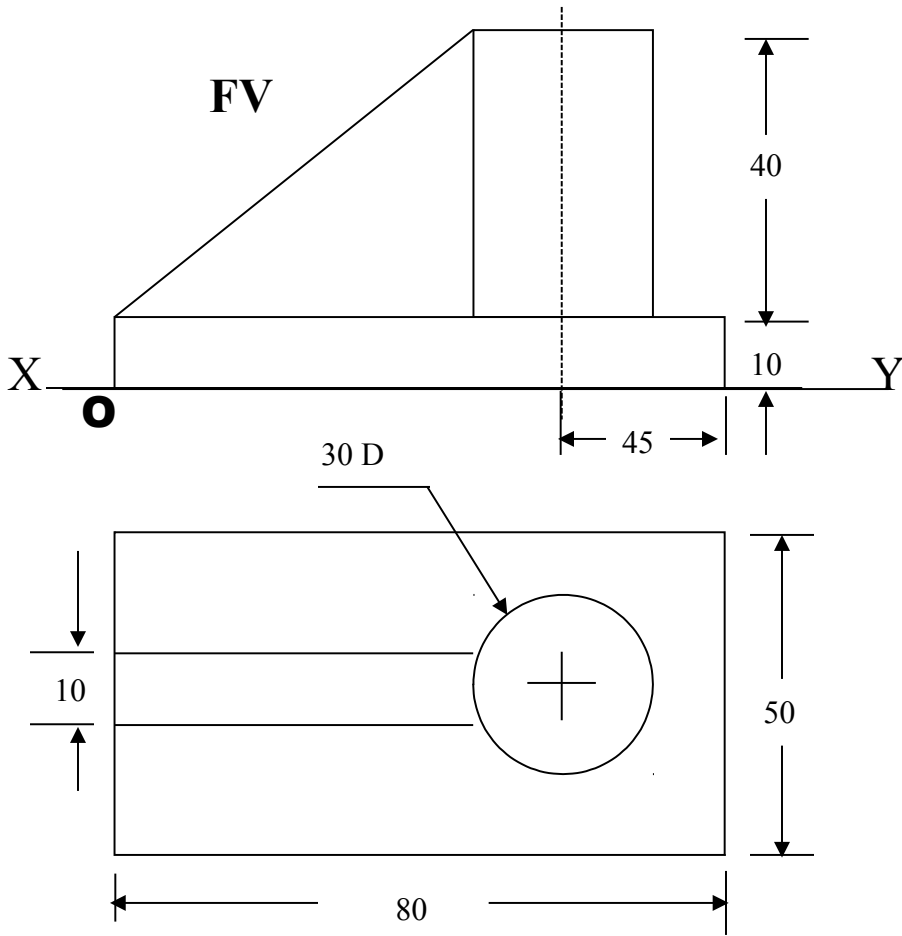
**ORTHOGRAPHIC PROJECTIONS**



**PICTORIAL PRESENTATION IS GIVEN**

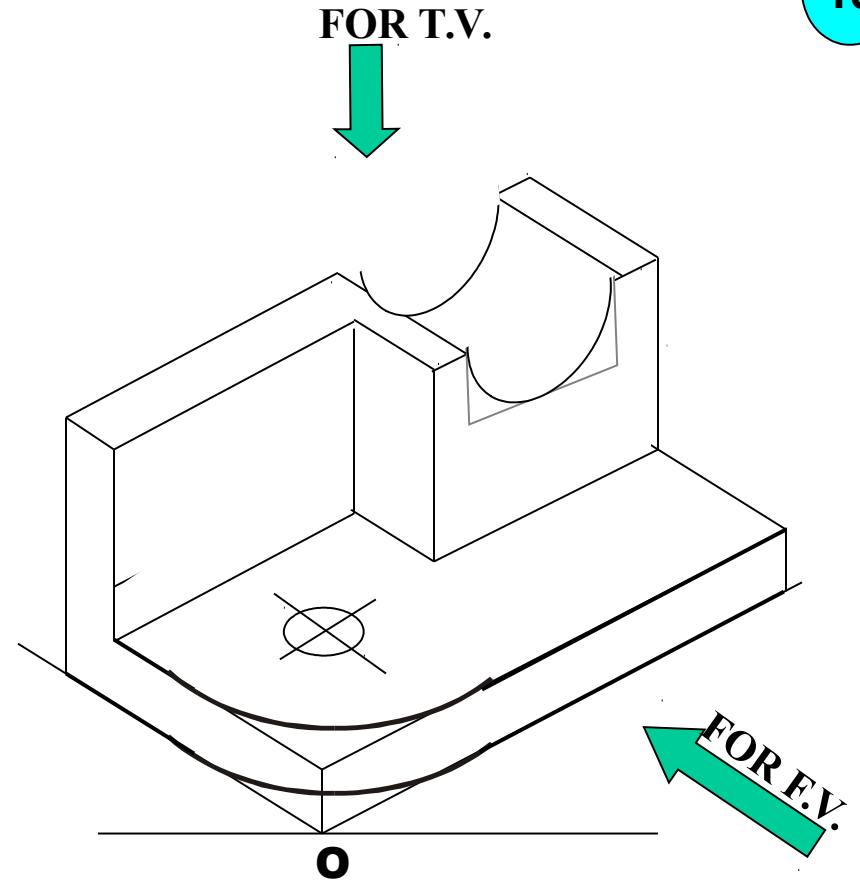
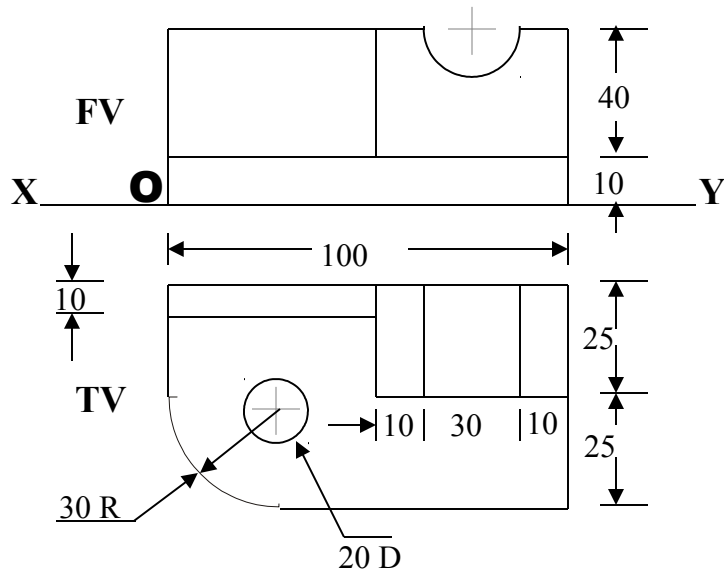
**DRAW FV AND SV OF THIS OBJECT  
BY FIRST ANGLE PROJECTION METHOD**

# ORTHOGRAPHIC PROJECTIONS



**PICTORIAL PRESENTATION IS GIVEN**  
**DRAW FV AND TV OF THIS OBJECT**  
**BY FIRST ANGLE PROJECTION METHOD**

**ORTHOGRAPHIC PROJECTIONS**

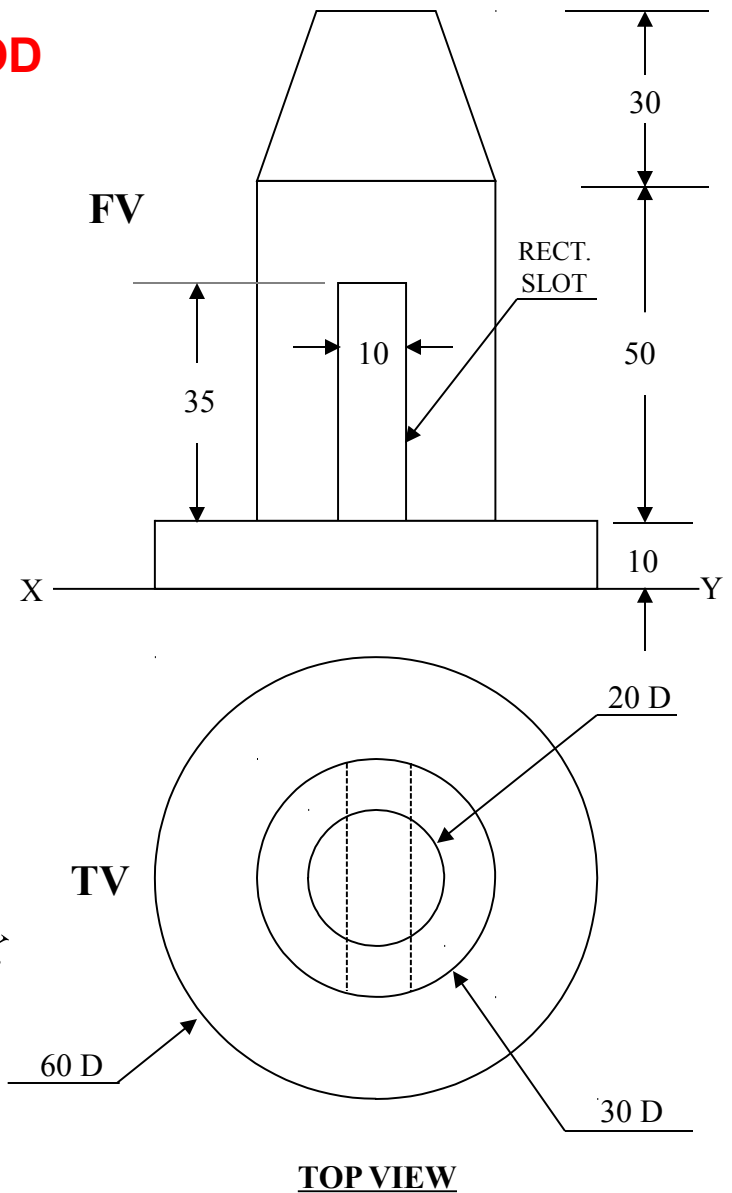
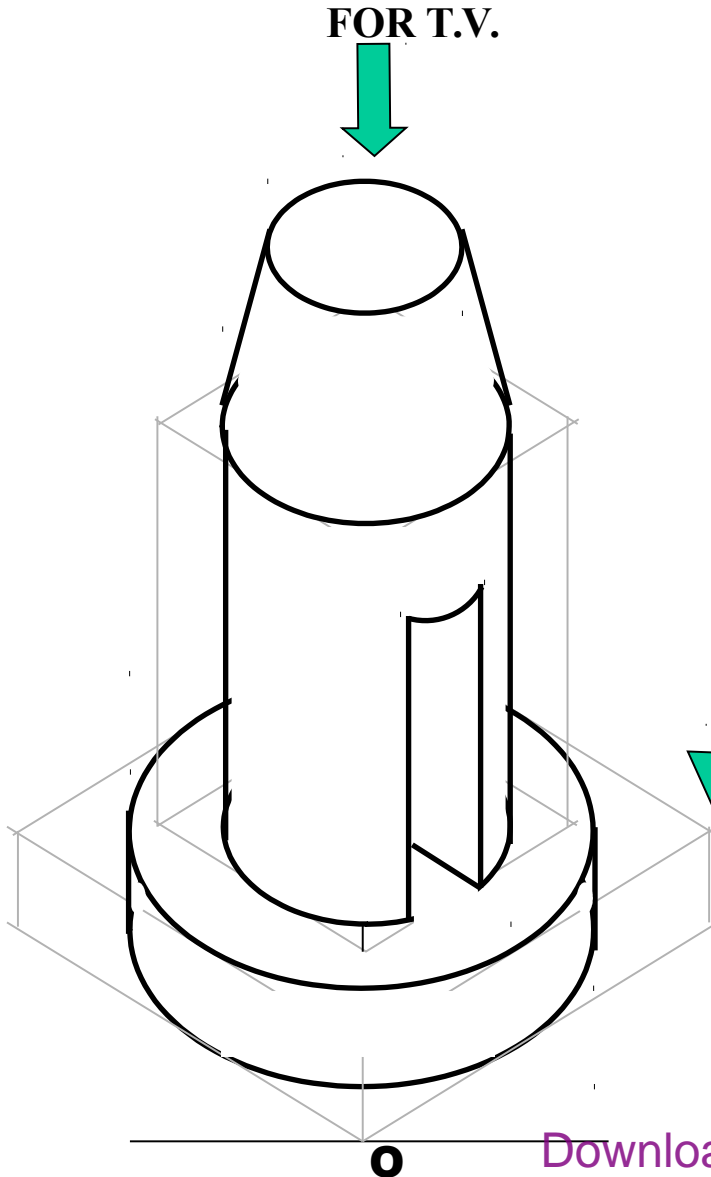


**PICTORIAL PRESENTATION IS GIVEN**  
**DRAW FV AND TV OF THIS OBJECT**  
**BY FIRST ANGLE PROJECTION METHOD**

**PICTORIAL PRESENTATION IS GIVEN**

**DRAW FV AND TV OF THIS OBJECT  
BY FIRST ANGLE PROJECTION METHOD**

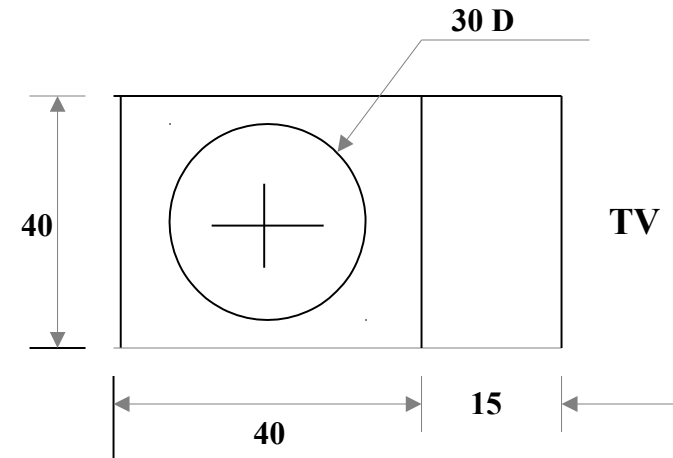
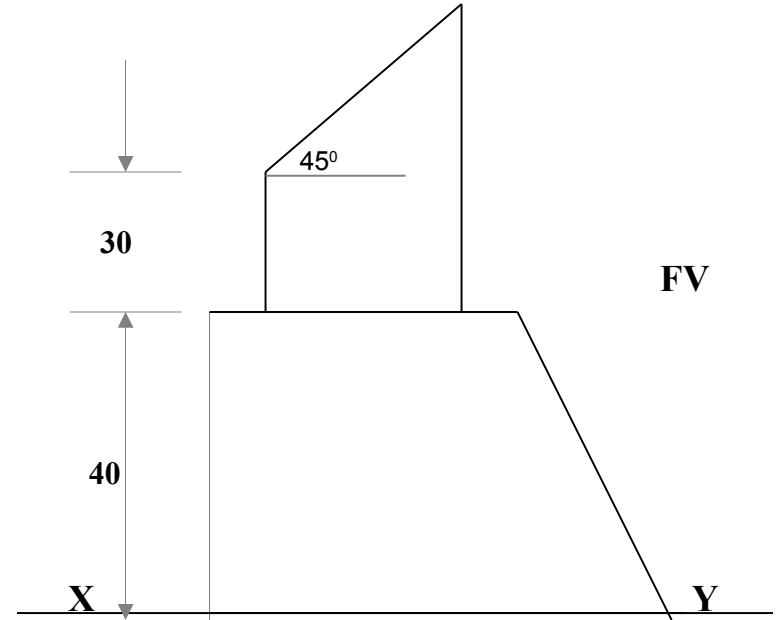
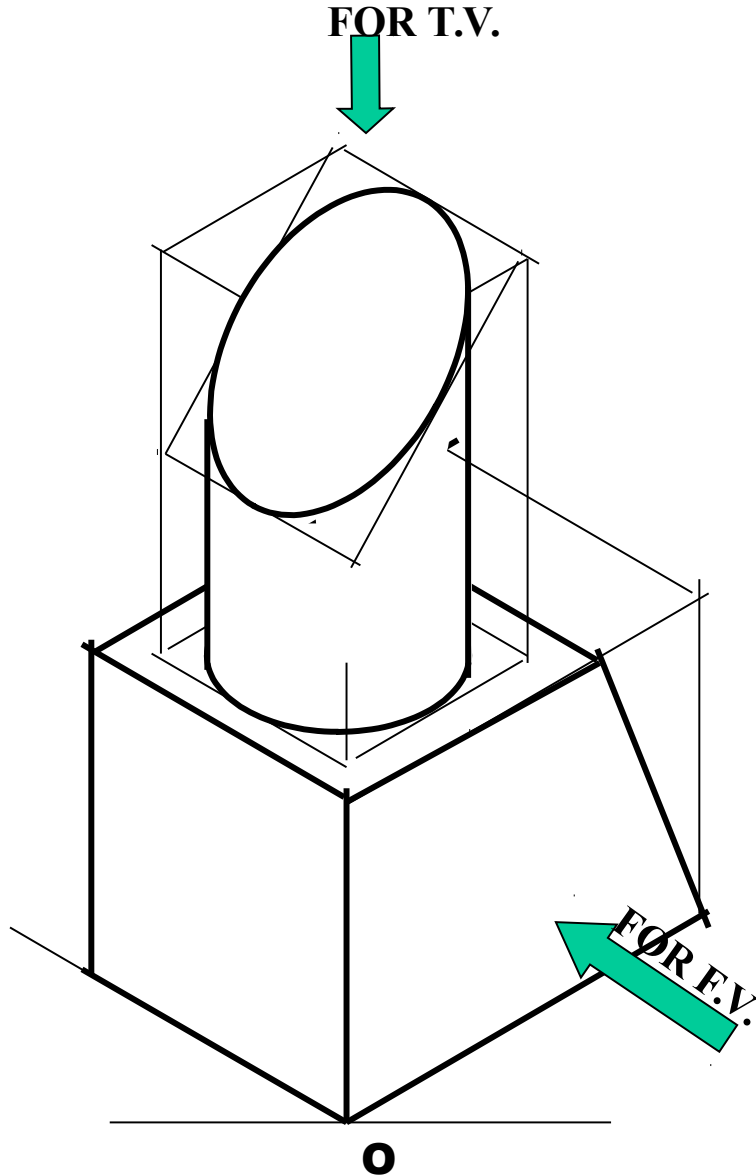
**ORTHOGRAPHIC PROJECTIONS**





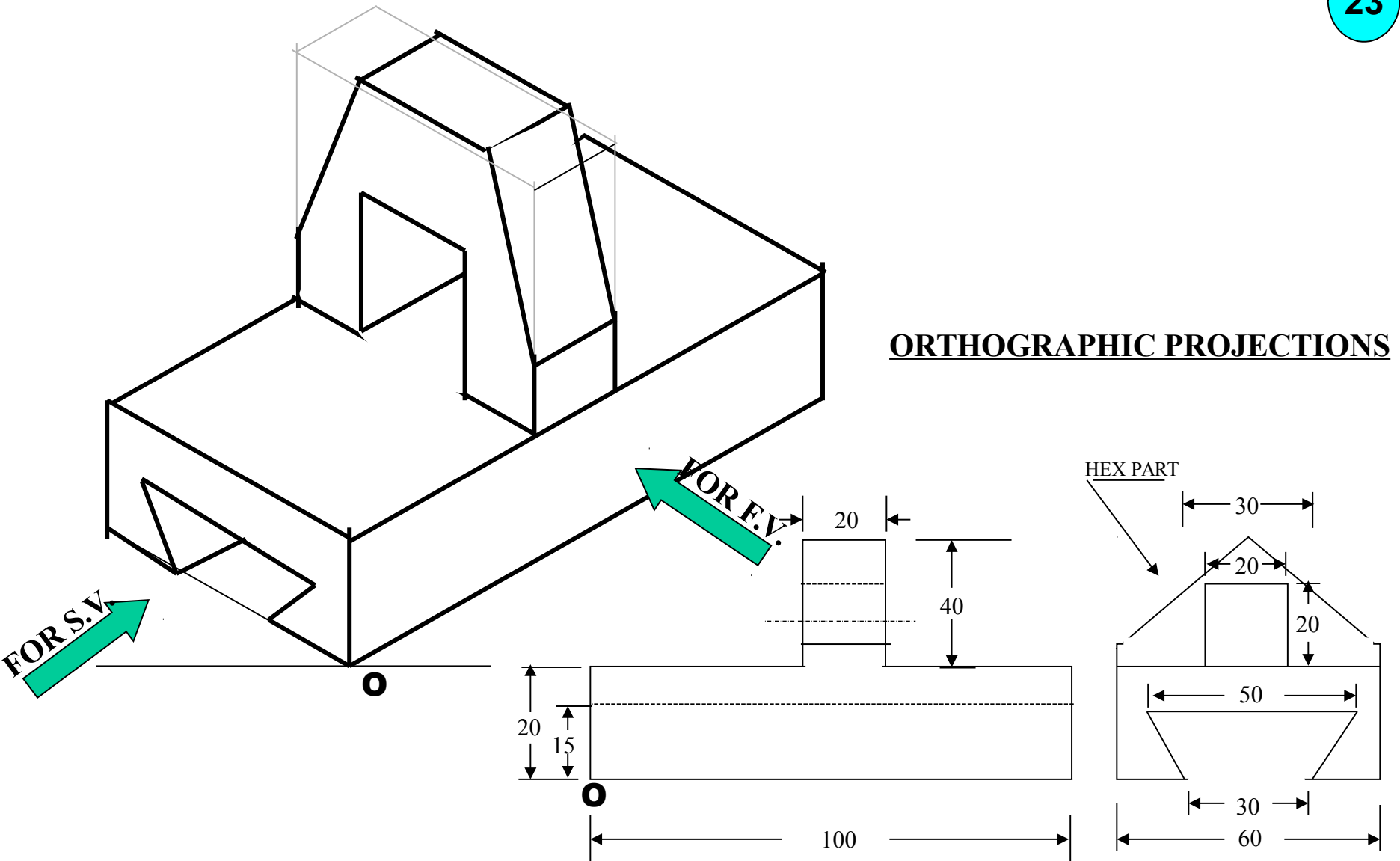


# ORTHOGRAPHIC PROJECTIONS



**PICTORIAL PRESENTATION IS GIVEN**

**DRAW FV AND TV OF THIS OBJECT  
BY FIRST ANGLE PROJECTION METHOD**



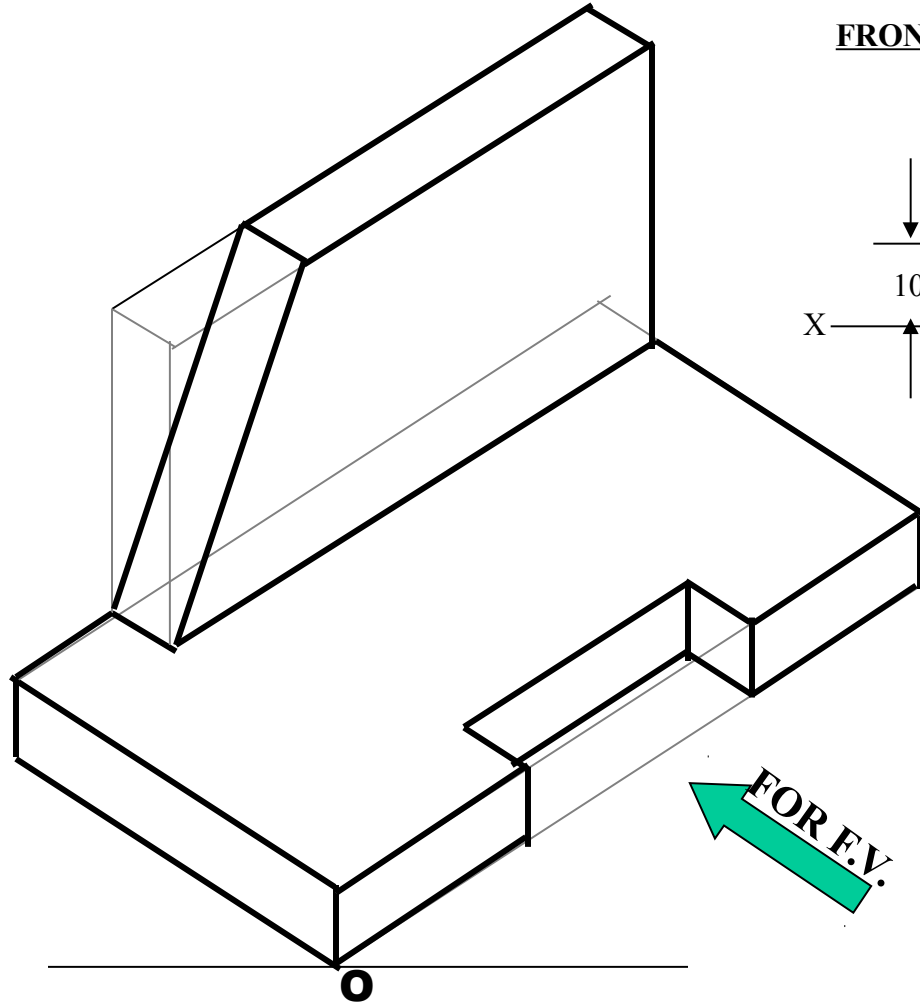
**ORTHOGRAPHIC PROJECTIONS**

**PICTORIAL PRESENTATION IS GIVEN**

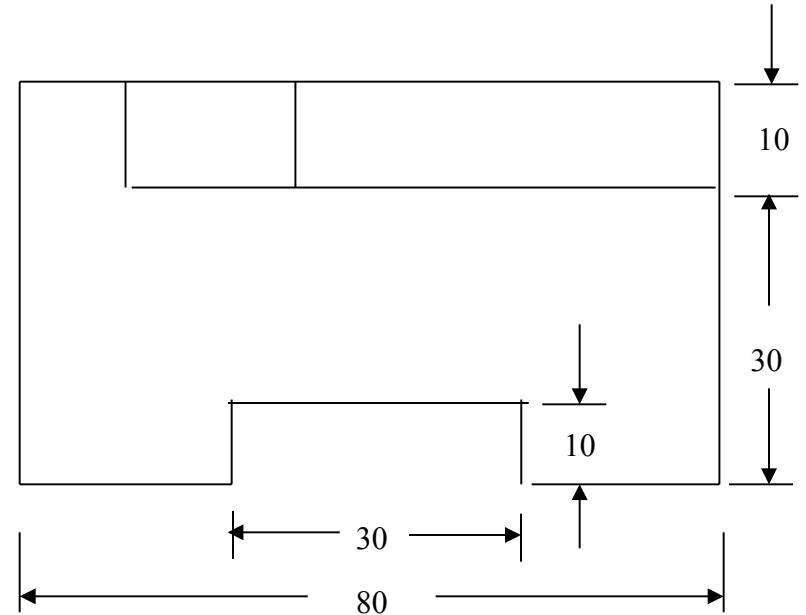
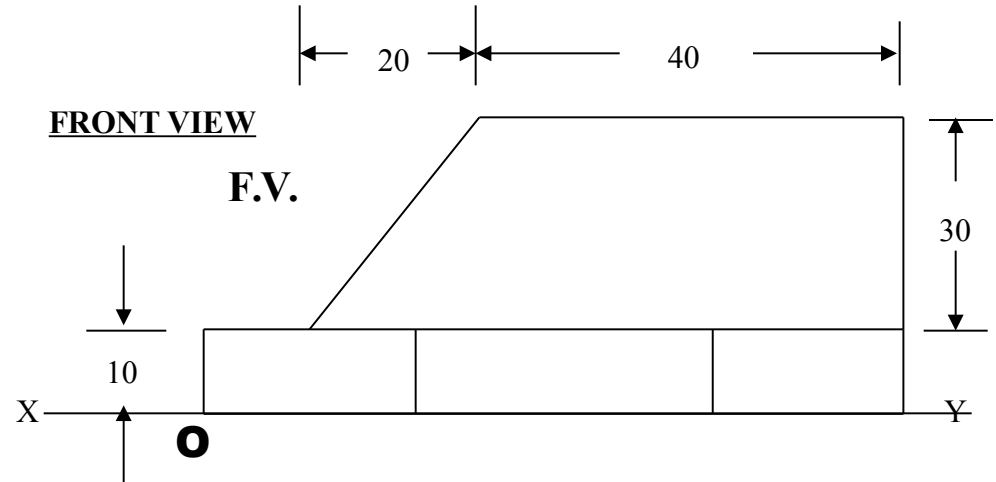
**DRAW FV AND SV OF THIS OBJECT  
BY FIRST ANGLE PROJECTION METHOD**

ORTHOGRAPHIC PROJECTIONS

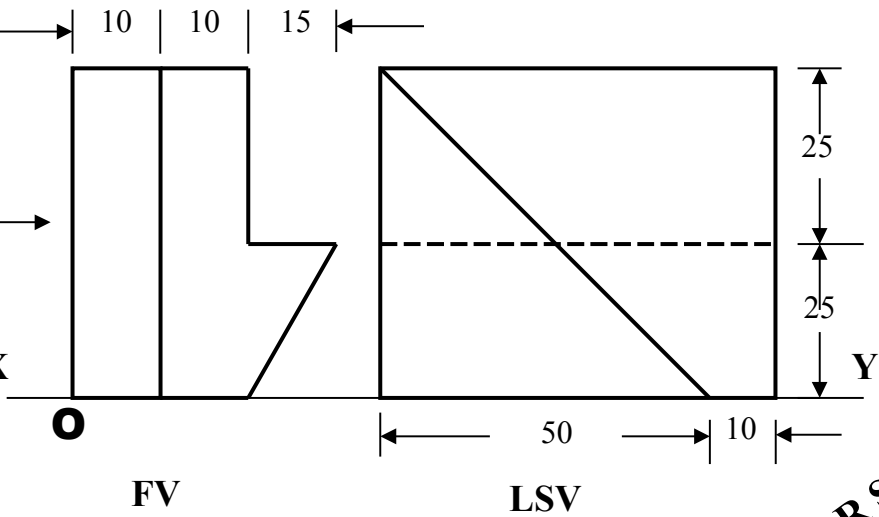
FOR T.V.

FRONT VIEW

F.V.

T.V. TOP VIEW**PICTORIAL PRESENTATION IS GIVEN****DRAW FV AND TV OF THIS OBJECT  
BY FIRST ANGLE PROJECTION METHOD**

## ORTHOGRAPHIC PROJECTIONS

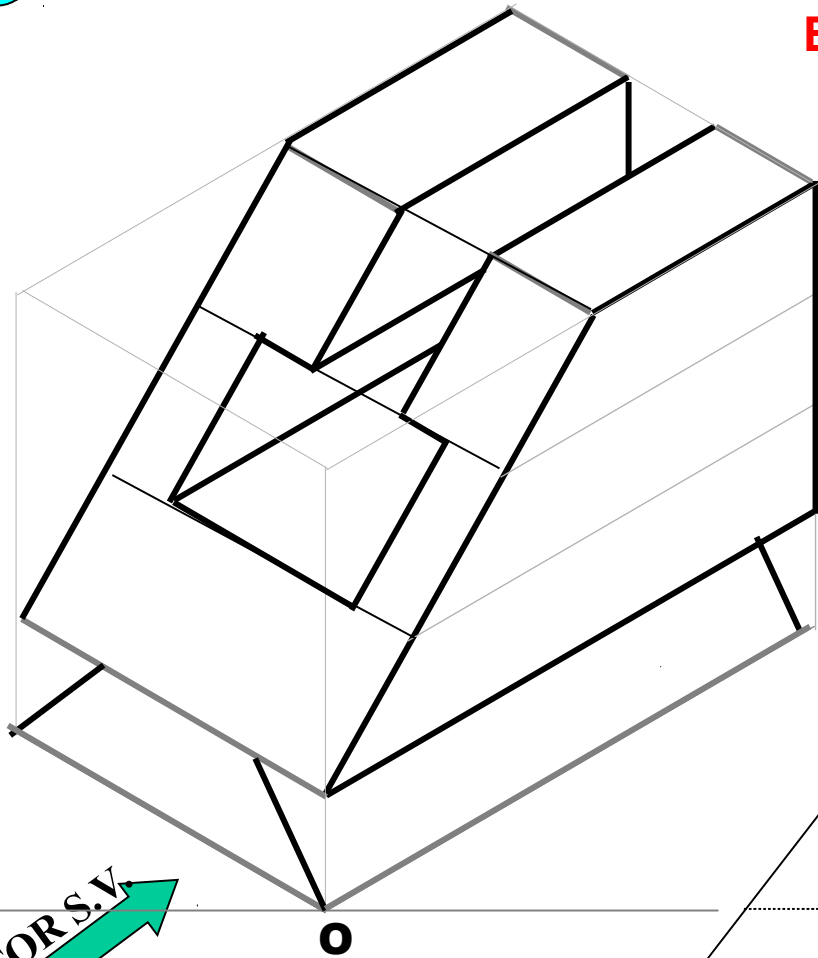
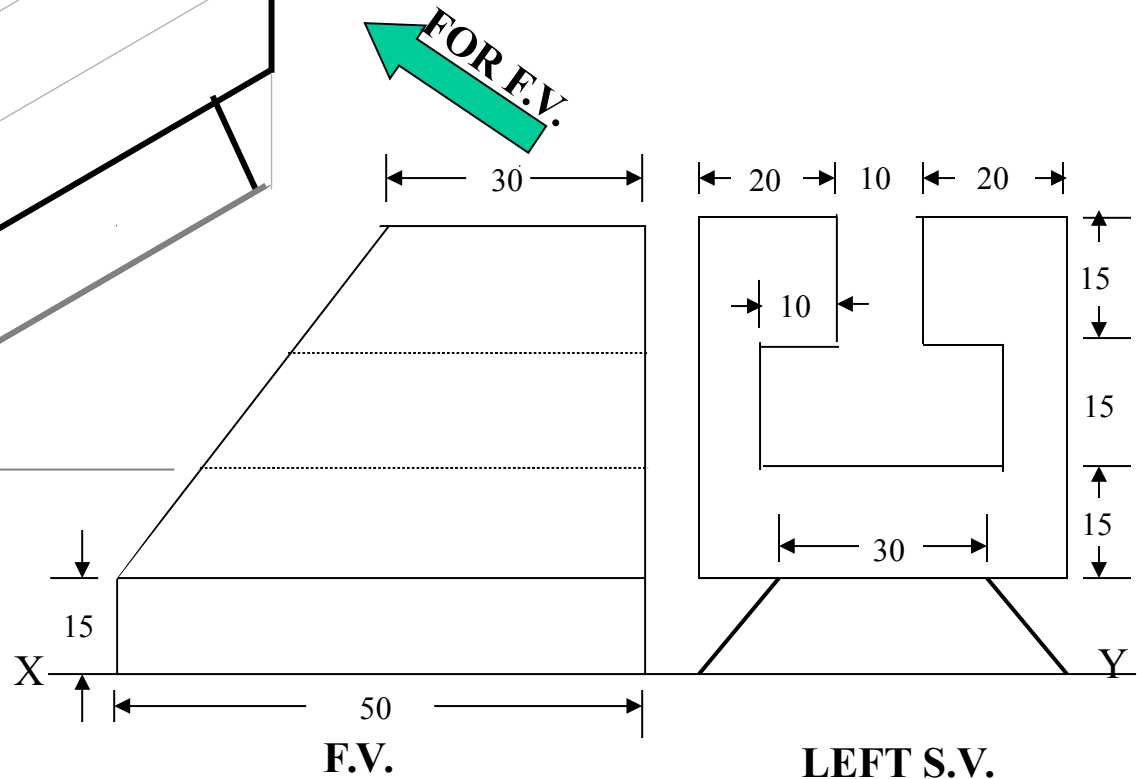


FOR S.V.

FOR F.V.

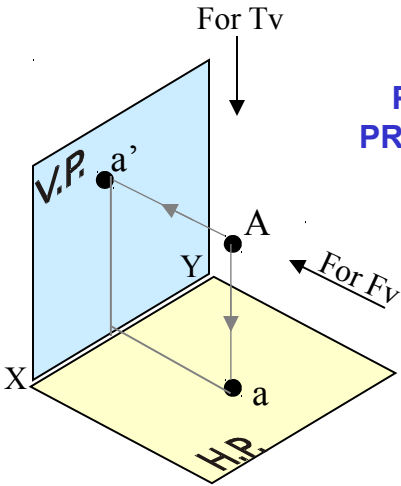
**PICTORIAL PRESENTATION IS GIVEN**

**DRAW FV AND LSV OF THIS OBJECT  
BY FIRST ANGLE PROJECTION METHOD**

**PICTORIAL PRESENTATION IS GIVEN****DRAW FV AND SV OF THIS OBJECT  
BY FIRST ANGLE PROJECTION METHOD****ORTHOGRAPHIC PROJECTIONS**

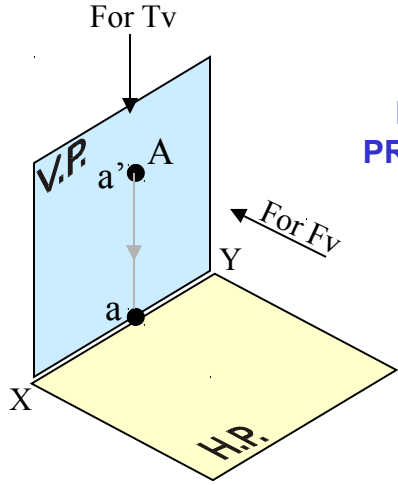
# PROJECTIONS OF A POINT IN FIRST QUADRANT.

**POINT A ABOVE HP  
& IN FRONT OF VP**



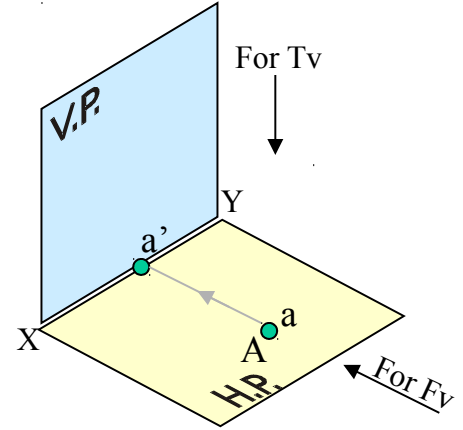
PICTORIAL  
PRESENTATION

**POINT A ABOVE HP  
& IN VP**



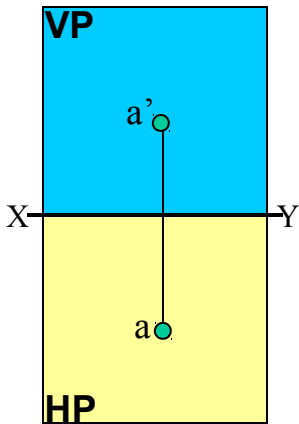
PICTORIAL  
PRESENTATION

**POINT A IN HP  
& IN FRONT OF VP**

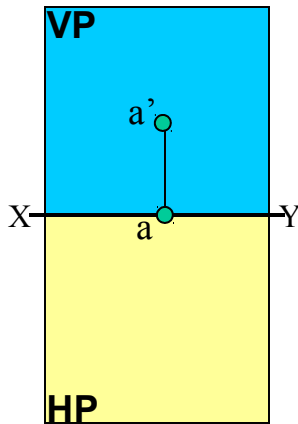


**ORTHOGRAPHIC PRESENTATIONS  
OF ALL ABOVE CASES.**

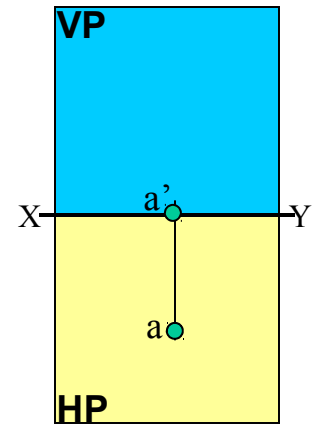
*Fv above xy,  
Tv below xy.*



*Fv above xy,  
Tv on xy.*



*Fv on xy,  
Tv below xy.*



**END OF SESSION 1**

**NEXT SESSION**  
**PROJECTION OF LINES**